

宁波亚晟照明集团有限公司
Ningbo Die casting Man Energy Co., Ltd

宁波亚爱光电科技有限公司
Ningbo Die casting Man Technology Co., Ltd

宁海县周华压铸有限公司
Ninghai Zhouhua Die casting Co., Ltd



Die-casting Man

We are a company never stand still on products and service



Die-casting Man

宁波亚晟照明集团有限公司
Ningbo Die casting Man Energy Co., Ltd

Address: Dajiahe Industrial Zone, Ninghai,
Ningbo, China

Tel: +86 574 6535 8238

Email: vicky@diecastingmanlighting.com

www.diecastingmanlighting.com

2023-2024
CATALOGUE

About Die Casting Man

Die Casting man was established in 1996 which is one of the lighting manufacturers with design & development, production & testing. We continue to offer a superior range of production and service including street light, high bay and die casting OEM products. We can offer a full service or simple SKD supply only.

We understand that lighting technology has to be practical, affordable and reliable. So we always design and develop products with our customers' needs in mind. We have a team of lighting designers to design, develop and manufacture our own luminaires.

Also we fully understand high quality is another important element for long term business development. We keep it in mind that products need to meet all EU requirements when we start design process. Our products are tested in credible, recognized laboratories and throughout product development process they go through rigorous performance testing too.

We are a company never stand still on products and service.

We are a company never stand still on products and service



welcome



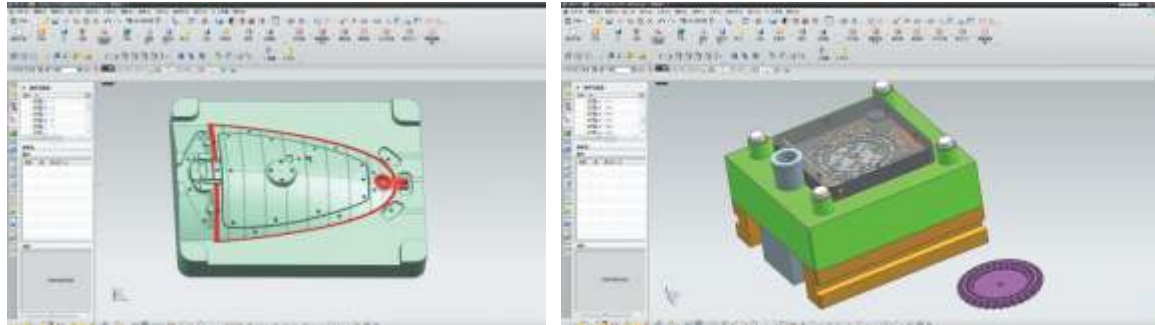


R&D

We develop 3-5 new series street lighting every year.
We could design our products according to your idea, sample and drawing.

Tool Development

We make tool after final design in house which could shorten the lead time and offer a better maintaining service.



Production Process in House

We get 8 die casting ejection machines from 350T to 1250 T.



CNC and Machining workshop after ejection



Finish Treatment—sand blasting and powder painting



Polish





Testing Laboratory



Assembly Workshop



Warehouse



Die-casting Man

Content

Ninghai Zhouhua Die-Casting Co., Ltd

LED Street Light

YASL-32	P01-P02
YASL-31	P03-P04
YASL-30	P05-P06
YASL-29	P07-P08
YASL-28	P09-P10
YASL-27	P11-P12
YASL-26	P13-P14
YASL-25	P15-P16
YASL-24	P17-P18
YASL-21	P19-P20
YASL-20	P21-P22
YASL-19	P23-P24
YASL-18	P25-P26
YASL-17	P27-P28
YASL-16	P29-P30
YASL-15	P31-P32
YASL-14	P33-P34
YASL-13	P35-P36
YASL-12	P37-P38
YASL-11B	P39-P40
YASL-10	P41-P42
YASL-09	P43-P44
YASL-08	P45-P46
YASL-07	P47-P48
YASL-06	P49-P50
YASL-04	P51-P52
YASL-03	P53-P54

LED Garden Light

YAUB-10	P55-P56
YAUB-09	P57-P58
YAUB-04	P59-P60
YAUB-03	P61-P62
YAUB-02	P63
YASL-12B	P64
YAUB-01	P65
YAGD-01	P66

LED High Bay

YAHB-05	P67-P68
YAHB-04	P69-P70
YAHB-02	P71-P72

LED High Mast

YAHP-01	P73-P74
FAP-10	P75-P76

LED Flood Light

HPS05	P77-P78
HPS05A	P79-P80
HPS05B	P81-P82
HPS05C	P83-P84
HPS05BC	P85-P86

Adapter

P87

Light Distribution

P88-P91



LED Street Light YASL-32

Installing Ways:
Both Horizontal and Vertical available and adjustable angle -5° to 15°

Material:
Die casting Aluminum body and PC lens

Product Specification

Product Code	YASL-32-50	YASL-32-100	YASL-32-150
Input Wattage (W)	30 ~ 60	60 ~ 120	120 ~ 200
Number of Lenses (PCS)	1 module	1 module	1 module
Product Size (mm)	474×172×95	560×230×95	639×274×108
Packing Size (mm)	515×190×135	600×250×130	680×295×145
Quantity of Packing (PCS)	1	1	1
Installation Height (m)	3 ~ 8	6 ~ 10	8 ~ 12
Installation Pipe Diameter	Φ48/60mm	Φ48/60mm	Φ48/60mm
Adjustable Angle	-5 ~ +15°Adjustable		
Materials	Housing:Aluminium, Cover:Toughened Glass, Screws:304 stainless screws		
Spray Colors	Double Grey, Sandy Black, Matt Silver		
Led Specifications	2835/3030		
Optical Effect	110-150 lm/w (Optional)		
Color Temperature	2700K, 3000K, 3500K, 4000K, 5000K, 5700K, 6500K (Optional) (Reference: Energy Star)		
Color Rendering Index	Ra≥70, Ra≥80, Ra≥90 (Optional)		
Optics	TYPEII		
Input Voltage	AC200~240V		
Security Level	ClassI		
Frequency Range	50/60Hz		
Power Factor	PF≥0.95		
Lightning Protection	10KV / 15KV / 20KV (Optional)		
Working Conditions Range	-40 to 45°C, 20% to 90% RH		
Warranty	3/5 years (Optional)		
Protection Level	IP66, IK08		
Certifications	CE; CB; RoHs; Lightning protection; LM-79; LM-80		



LED Street Light YASL-32

Product Description

Economic street light available in three sizes from 30W to 200W.
Nice appearance, simple structure, high reliability.
Enough space in house for small size drivers.

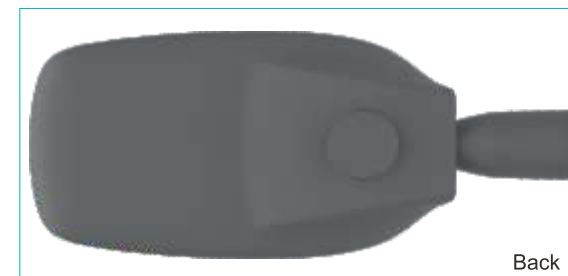
IP66 CE ROHS



90 degree installation



Front

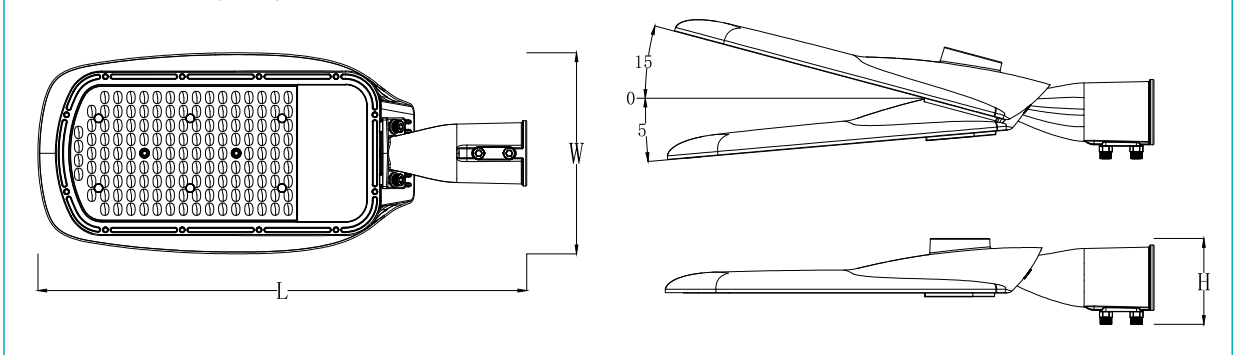


Back

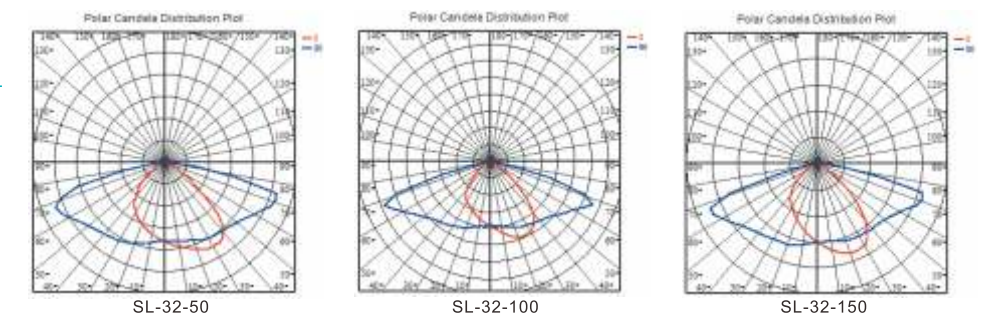


Side

Product Size (mm)



Photometric Data



SL-32-50

SL-32-100

SL-32-150



LED Street Light YASL-31

Installing Ways:

Both Horizontal and Vertical available and adjustable angle -5° to 15°

Material:

Die casting Aluminum body and PC lens

Product Specification

Product Code	YASL-31-50	YASL-31-100	YASL-31-150
Input Wattage (W)	30 ~ 60	60 ~ 120	120 ~ 200
Number of Lenses (PCS)	1 module	1 module	1 module
Product Size (mm)	471×172×91	557×230×91	636×274×91
Packing Size (mm)	510×190×130	600×250×130	680×300×130
Quantity of Packing (PCS)	1	1	1
Installation Height (m)	3 ~ 8	6 ~ 10	8 ~ 12
Installation Pipe Diameter	Φ48/60mm	Φ48/60mm	Φ48/60mm
Adjustable Angle	-5 ~ +15°Adjustable		
Materials	Housing:Aluminium, Cover:Toughened Glass, Screws:304 stainless screws		
Spray Colors	Double Grey, Sandy Black, Matt Silver		
Led Specifications	2835		
Optical Effect	100 lm/w(Optional)		
Color Temperature	2700K, 3000K, 3500K, 4000K, 5000K, 5700K, 6500K (Optional) (Reference: Energy Star)		
Color Rendering Index	Ra≥70, Ra≥80, Ra≥90 (Optional)		
Optics	TYPEII		
Input Voltage	AC200~240V		
Security Level	ClassI		
Frequency Range	50/60Hz		
Power Factor	PF≥0.9		
Lightning Protection	10KV / 15KV / 20KV (Optional)		
Working Conditions Range	-40 to 45°C, 20% to 90% RH		
Warranty	3 years (Optional)		
Protection Level	IP66, IK08		
Certifications	CE; CB; IEC; RoHs; Lightning protection; LM-79; LM-80		



LED Street Light YASL-31

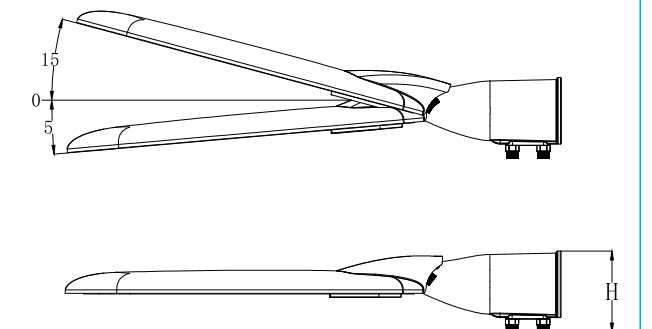
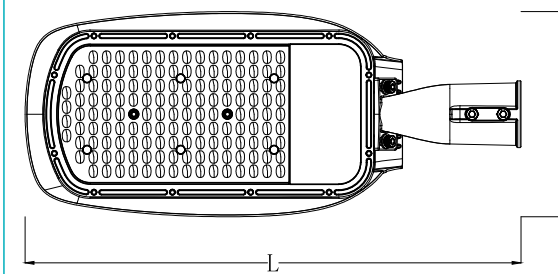
Product Description

DOB street light available in three sizes from 30W to 200W. Nice appearance, simple structure, high reliability.

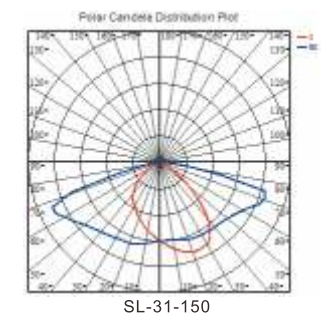
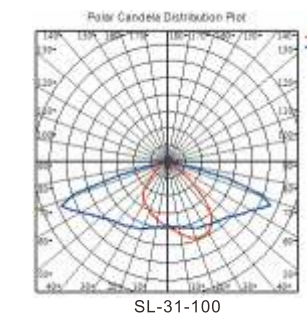
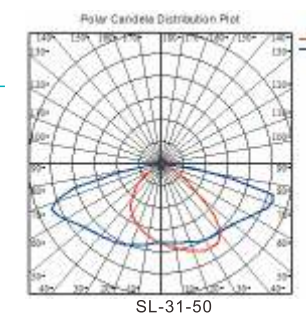
IP66 CE ROHS



Product Size (mm)



Photometric Data





LED Solar Street Light YASL30

Installing Ways:
Both Horizontal and Vertical available
and adjustable angle -15° to 15°

Material:
Die casting Aluminum body and PC lens

Product Specification

Product Code	YASL-30-40			YASL-30-80	
Nominal Power	30W	40W	50W	60W	80W
Quantity (5050)	18 PCS	18 PCS	28 PCS	28 PCS	36 PCS
Battery Capacity	12.8V/18AH	12.8V/24AH	12.8V/30AH	12.8V/36AH	12.8V/42AH
Solar Panel Power	18V/40W	18V/50W	18V/60W	18V/80W	18V/100W
Charging Time	6H	6H	6.5H	6H	5.5H
Number of Lenses (PCS)	1 module			1 module	
Product Size (mm)	780×468×153			1080×468×153	
Packing Size (mm)	815×500×180			1120×500×180	
Net Weight (kgs)	11.2			15.8	
Gross Weight (kgs)	12.6			17.6	
Quantity of Packing (PCS)	1			1	
Installation Height (m)	4~8			6~10	
Installation Pipe Diameter	Φ60mm			Φ60mm	
Adjustable Angle	±15°Adjustable				
Materials	Housing:Aluminium, Cover:Toughened Glass, Screws:304 stainless screws				
Spray Colors	Double Grey, Sandy Black, Matt Silver				
Led Brand	LUMILEDS, OSRAM, CREE (Optional)				
Led Specifications	3030, 5050 (Optional)				
Optical Effect	130~190 lm/w (Optional)				
Color Temperature	2700K, 3000K, 3500K, 4000K, 5000K, 5700K, 6500K (Optional) (Reference: Energy Star)				
Color Rendering Index	Ra≥70, Ra≥80, Ra≥90 (Optional)				
Optics	See Photometric Data				
Discharge Time	4-5 days				
Frequency Range	50/60Hz				
Induction Distance	12m				
Battery Type	Lithium iron phosphate				
Dimming Mode	Microwave induction / Infrared sensing (Optional)				
Solar Panels	Mono-Crystalline Silicon solar panel				
Working Conditions Range	-30 to 45°C, 20% to 90% RH				
Warranty	3/5 years (Optional)				
Protection Level	IP65, IK08				
Certifications	CE; RoHs; TUV; LM-79; LM-80; IP66				



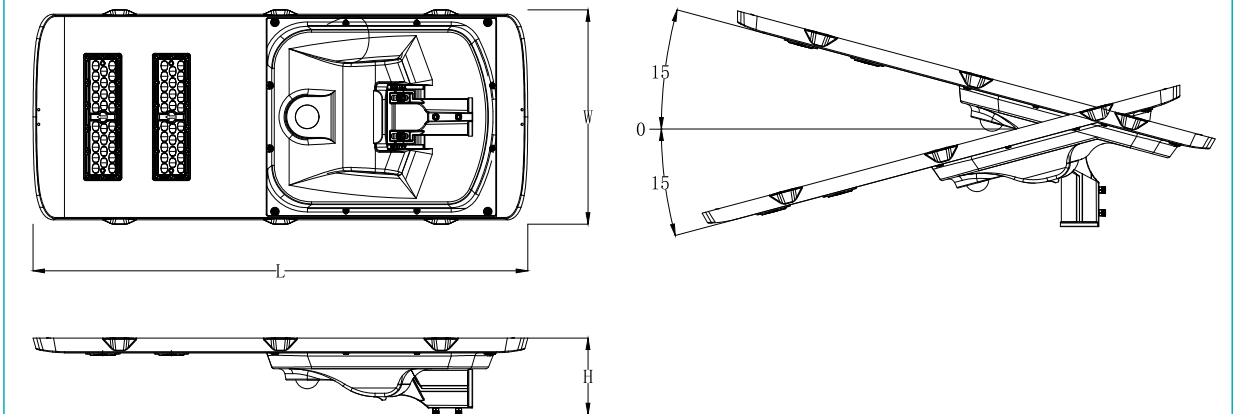
LED Solar Street Light YASL30

Product Description

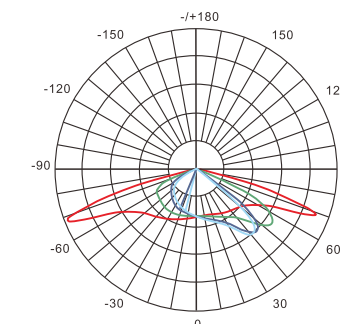
This series is a high-performance street lighting available in two sizes. The luminaire is manufactured from high pressure die-casting aluminum. It shall have a led efficiency up to 190 lm/w and will be capable of producing up to 15200 luminaire lumens at 4000K finished in Grey or black as standard.

IP66 CE ROHS

Product Size (mm)



Photometric Data





LED Street Light YASL-29

Installing Ways:

Both Horizontal and Vertical available and adjustable angle -15° to 15°

Material:

Die casting Aluminum body and tempered glass with lens inside

Product Specification

Product Code	YASL-29-40	YASL-29-60	YASL-29-100	YASL-29-160	YASL-29-240
Input Wattage (W)	30~60	50~90	80~150	150~200	200~300
Number of Lenses (PCS)	4(MAX 6)	6(MAX 8)	9(MAX 12)	16(MAX 20)	24(MAX 30)
Product Size (mm)	576×209×89	593×263×89	646×263×89	709×315×89	812×315×89
Packing Size (mm)	585×250×140	620×305×140	665×305×140	730×360×140	840×360×140
Net Weight (kgs)	3.8	4.1	4.6	7.4	9.5
Gross Weight (kgs)	4.2	4.5	5.0	7.9	10.5
Quantity of Packing (PCS)	1	1	1	1	1
Installation Height (m)	3~6	4~8	6~10	8~14	12~14
Installation Pipe Diameter	Φ45/60mm	Φ45/60mm	Φ45/60mm	Φ45/60mm	Φ45/60mm
Adjustable Angle	±15°Adjustable				
Materials	Housing:Aluminium, Cover:Toughened Glass, Screws:304 stainless screws				
Spray Colors	Double Grey, Sandy Black, Matt Silver				
Led Brand	LUMILEDS, OSRAM, CREE (Optional)				
Led Specifications	3030, 5050 (Optional)				
Optical Effect	130~190 lm/w (Optional)				
Color Temperature	2700K, 3000K, 3500K, 4000K, 5000K, 5700K, 6500K (Optional) (Reference: Energy Star)				
Color Rendering Index	Ra≥70, Ra≥80, Ra≥90 (Optional)				
Optics	TYPEI, TYPEII, TYPEIII, TYPEV, TYPEIV (Optional)				
Driver Brand	PHILIPS / OSRAM / TRIDONIC / MEAN WELL / SOSEN / INVENTRONICS				
Input Voltage	AC90~305V				
Security Level	ClassI / ClassII / Class1 / Class2 (Optional)				
Frequency Range	50/60Hz				
Power Factor	PF≥0.95				
Protection	Overcurrent / Short circuit / Over temperature				
Dimming Mode	Time control / 0-10V / Opticalcontrol / Microwaves / DALI (Optional)				
Lightning Protection	10KV / 15KV / 20KV (Optional)				
Working Conditions Range	-30 to 45°C, 20% to 90% RH				
Warranty	5/8 years (Optional)				
Protection Level	IP66, GlassIK08/09/10 (Optional), Lamp shell IK08				
Certifications	ENEC; CE; CB; IEC; RoHs; TUV; Lightning protection; LM-79; LM-80; IP66				



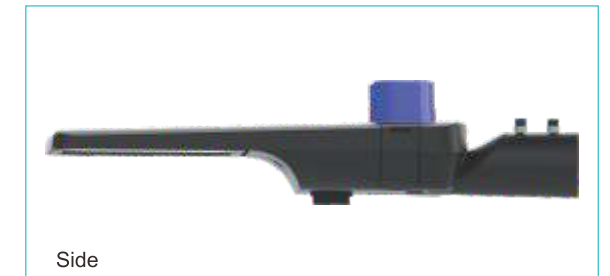
90 degree installation



Front



Back



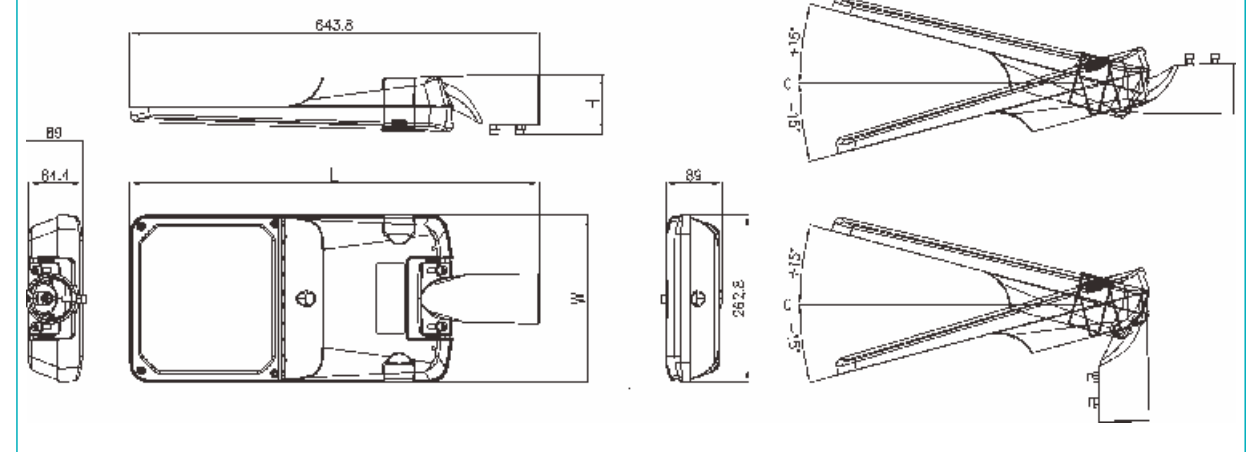
Side

LED Street Light YASL-29

Product Description

29 is functional and structural updated version from our hot sale light YASL-19 .
29 with more wide lighting distribution area, reserved area for logo, vent plug, nema and zhaga.

Product Size (mm)



Light Distribution (For details, please refer to the summary table of light distribution curves on page 78,79,80.)

YASL-29	IES Type Light Distribution Cure							
	DH-T1	DH-T2-L	DH-T2-M	DH-T2-MB	DH-T3-M	DH-T3-MA	DH-T3-MB	DH-T4-M
DH-T5-M	DY-T2-M	DY-T3-M	GY-T1-M	GY-T2-S	GY-T2-M	GY-T3-M	GY-T2-M01	
GY-T3-M01	GX-T2-S	GX-T2-M	GX-T3-M	GX-T4-M	GX-T4-L	GX-T5	GJ-T2-M	
GJ-T3-M	GJ-T4-M	HY-T2-S	HY-T3-M	HX-T2-S	HX-T2-M	HX-T3-M	HX-T4-M	



LED Street Light YASL-28

Installing Ways:
Both Horizontal and Vertical available and adjustable angle -15° to 15°

Material:
Die casting Aluminum body and tempered glass with lens

Product Specification

Product Code	YASL-28-40	YASL-28-60	YASL-28-90	YASL-28-120	YASL-28-160	YASL-28-240
Input Wattage (W)	30~50	50~80	80~120	100~150	150~200	200~320
Number of Lenses (PCS)	4	6	9	12	16	24
Product Size (mm)	492×183×97	541×200×113	602×243×121	652×263×121	722×314×121	823×314×121
Packing Size (mm)	550×220×230	600×240×165	650×280×170	700×300×170	755×335×170	875×335×170
Net Weight (kgs)	2.3	2.8	3.5	4	5.1	5.9
Gross Weight (kgs)	2.6	3.4	4.3	4.9	6	6.9
Quantity of Packing (PCS)	2	1	1	1	1	1
Installation Height (m)	3~8	4~8	6~10	8~12	8~12	8~14
Installation Pipe Diameter	Φ48/60mm	Φ48/60mm	Φ60mm	Φ60mm	Φ60mm	Φ60mm
Adjustable Angle	±15°Adjustable					
Materials	Housing:Aluminium, Cover:Toughened Glass, Screws:304 stainless screws					
Spray Colors	Double Grey, Sandy Black, Matt Silver					
Led Brand	LUMILEDS, OSRAM, CREE (Optional)					
Led Specifications	3030, 5050 (Optional)					
Optical Effect	130~190 lm/w (Optional)					
Color Temperature	2700K, 3000K, 3500K, 4000K, 5000K, 5700K, 6500K (Optional) (Reference: Energy Star)					
Color Rendering Index	Ra≥70, Ra≥80, Ra≥90 (Optional)					
Optics	TYPEI, TYPEII, TYPEIII, TYPEV, TYPEIV (Optional)					
Driver Brand	PHILIPS / OSRAM / TRIDONIC / MEAN WELL / SOSEN / INVENTRONICS					
Input Voltage	AC90~305V					
Security Level	ClassI / ClassII / Class1 / Class2 (Optional)					
Frequency Range	50/60Hz					
Power Factor	PF≥0.95					
Protection	Overcurrent / Short circuit / Over temperature					
Dimming Mode	Time control / 0-10V / Opticalcontrol / Microwaves / DALI (Optional)					
Lightning Protection	10KV / 15KV / 20KV (Optional)					
Working Conditions Range	-40 to 45°C, 20% to 90% RH					
Warranty	5/8 years (Optional)					
Protection Level	IP66, GlassIK08/09/10 (Optional), Lamp shell IK08					
Certifications	ENEC; CE; CB; IEC; RoHs; TUV; Lightning protection; LM-79; LM-80; IP66					

LED Street Light YASL-28

Product Description

This series is a high-performance street lighting available in six sizes. The luminaire is manufactured from high pressure die-casting aluminum. It shall have a led efficiency up to 170 lm/w and will be capable of producing up to 40800 luminaire lumens at 4000K finished in Grey or black as standard.

IP66 CE ROHS



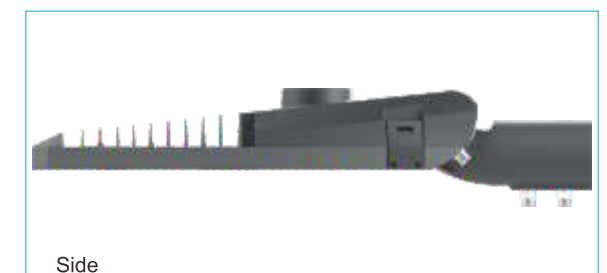
90 degree installation



Front

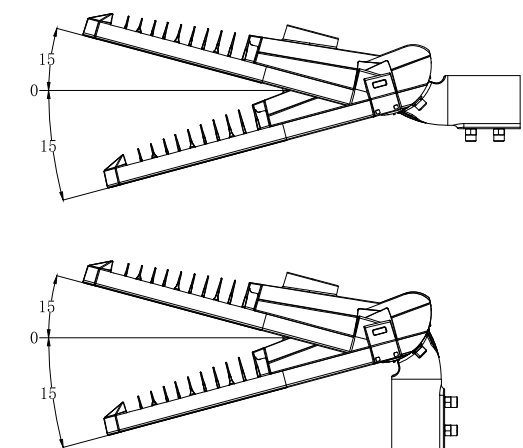
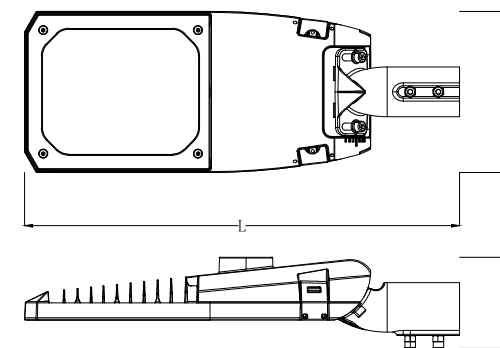


Back



Side

Product Size (mm)



Light Distribution (For details, please refer to the summary table of light distribution curves on page 78,79,80.)

YASL-28	IES Type Light Distribution Curve							
	DH-T1	DH-T2-L	DH-T2-M	DH-T2-MB	DH-T3-M	DH-T3-MA	DH-T3-MB	DH-T4-M
DH-T5-M	DY-T2-M	DY-T3-M	GY-T1-M	GY-T2-S	GY-T2-M	GY-T3-M	GY-T2-M01	
GY-T3-M01	GX-T2-S	GX-T2-M	GX-T3-M	GX-T4-M	GX-T4-L	GX-T5	GJ-T2-M	
GJ-T3-M	GJ-T4-M	HY-T2-S	HY-T3-M	HX-T2-S	HX-T2-M	HX-T3-M	HX-T4-M	



LED Street Light YASL-27

Installing Ways:
Both Horizontal and Vertical available and adjustable angle -15° to 15°

Material:
Die casting Aluminum body and tempered glass with lens inside



Product Specification

Product Code	YASL-27-60(M)	YASL-27-120(M)	YASL-27H-120(M)	YASL-27-200(M)	YASL-27H-200(M)
Input Wattage (W)	30~80	80~150	80~150	150~240	150~240
Number of Lenses (PCS)	6	12	12	20	20
Product Size (mm)	617×250×113	707×280×113	707×280×121	783×320×113	783×320×123
Packing Size (mm)	670×320×160	770×330×160	770×330×160	840×370×160	840×370×160
Net Weight (kgs)	3.4	4.1	4.12	4.9	4.92
Gross Weight (kgs)	3.8	4.5	4.6	5.5	5.6
Quantity of Packing (PCS)	1	1	1	1	1
Installation Height (m)	4~8	8~12	8~12	8~14	8~14
Installation Pipe Diameter	Φ60mm	Φ60mm	Φ60mm	Φ60mm	Φ60mm
Adjustable Angle	±15°Adjustable				
Materials	Housing:Aluminium, Cover:Toughened Glass, Screws:304 stainless screws				
Spray Colors	Double Grey, Sandy Black, Matt Silver				
Led Brand	LUMILEDS, OSRAM, CREE (Optional)				
Led Specifications	3030, 5050 (Optional)				
Optical Effect	130~190 lm/w (Optional)				
Color Temperature	2700K, 3000K, 3500K, 4000K, 5000K, 5700K, 6500K (Optional) (Reference: Energy Star)				
Color Rendering Index	Ra≥70, Ra≥80, Ra≥90 (Optional)				
Optics	TYPEI, TYPEII, TYPEIII, TYPEV, TYPEIV (Optional)				
Driver Brand	PHILIPS / OSRAM / TRIDONIC / MEAN WELL / SOSEN / INVENTRONICS				
Input Voltage	AC90~305V				
Security Level	ClassI / ClassII / Class1 / Class2 (Optional)				
Frequency Range	50/60Hz				
Power Factor	PF≥0.95				
Protection	Overcurrent / Short circuit / Over temperature				
Dimming Mode	Time control / 0-10V / Opticalcontrol / Microwaves / DALI (Optional)				
Lightning Protection	10KV / 15KV / 20KV (Optional)				
Working Conditions Range	-40 to 45°C, 20% to 90% RH				
Warranty	5/8 years (Optional)				
Protection Level	IP66, GlassIK08/09/10 (Optional), Lamp shell IK08				
Certifications	ENEC; CE; CB; IEC; RoHs; TUV; Lightning protection; LM-79; LM-80; IP66				

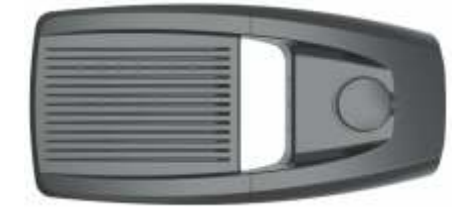


LED Street Light YASL-27

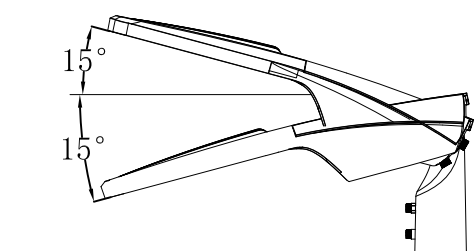
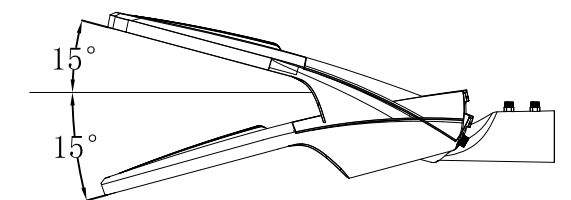
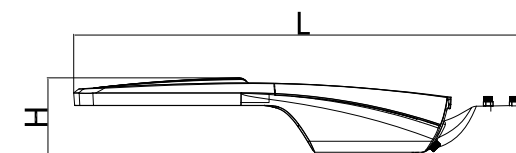
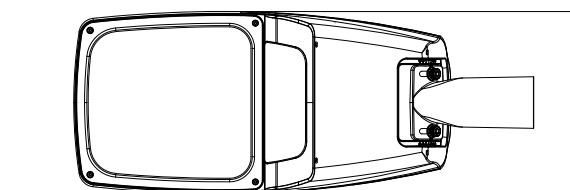
Product Description

Unique design with three sizes. The difference between YASL-27 and YASL-27H is YASL-27 has flat finish on the back and YASL-27H has heat sink on the body.

IP66 CE ROHS



Product Size (mm)



Light Distribution (For details, please refer to the summary table of light distribution curves on page 78,79,80.)

YASL-27	IES Type Light Distribution Curve							
	DH-T1	DH-T2-L	DH-T2-M	DH-T2-MB	DH-T3-M	DH-T3-MA	DH-T3-MB	DH-T4-M
DH-T5-M	DY-T2-M	DY-T3-M	GY-T1-M	GY-T2-S	GY-T2-M	GY-T3-M	GY-T2-M01	
GY-T3-M01	GX-T2-S	GX-T2-M	GX-T3-M	GX-T4-M	GX-T4-L	GX-T5	GJ-T2-M	
GJ-T3-M	GJ-T4-M	HY-T2-S	HY-T3-M	HX-T2-S	HX-T2-M	HX-T3-M	HX-T4-M	



YASL-26-300

LED Street Light YASL-26

Installing Ways:
Both Horizontal and Vertical available
and adjustable angle -15° to 15°

Material:
Die casting aluminium and extrusion
aluminium housing. We have both module
with tempered glass and module with PC lens both.



YASL-26-50

Product Specification

Product Code	YASL-26-50	YASL-26-100	YASL-26-150	YASL-26-200	YASL-26-250	YASL-26-300
Input Wattage (W)	30 ~ 60	80 ~ 120	120 ~ 180	160 ~ 240	200 ~ 300	240 ~ 360
Number of Lenses (PCS)	4	8	12	16	20	24
Product Size (mm)	449×360×152	529×360×152	609×360×152	689×360×152	769×360×152	849×360×152
Packing Size (mm)	460×370×150	540×370×150	620×370×150	700×370×150	780×370×150	860×370×150
Net Weight (kgs)	3.6	4.1	4.7	5.3	5.9	6.6
Gross Weight (kgs)	4.1	4.7	5.3	5.9	6.6	7.2
Quantity of Packing (PCS)	1	1	1	1	1	1
Installation Height (m)	3 ~ 6	4 ~ 8	8 ~ 12	8 ~ 12	12 ~ 14	8 ~ 14
Installation Pipe Diameter	Φ48/60mm	Φ48/60mm	Φ48/60mm	Φ48/60mm	Φ48/60mm	Φ48/60mm
Adjustable Angle	±15°Adjustable					
Materials	Housing:Aluminium, Cover:Toughened Glass, Screws:304 stainless screws					
Spray Colors	Double Grey, Sandy Black, Matt Silver					
Led Brand	LUMILEDS, OSRAM, CREE (Optional)					
Led Specifications	3030, 5050 (Optional)					
Optical Effect	130~180 lm/w (Optional)					
Color Temperature	2700K, 3000K, 3500K, 4000K, 5000K, 5700K, 6500K (Optional) (Reference: Energy Star)					
Color Rendering Index	Ra≥70, Ra≥80, Ra≥90 (Optional)					
Optics	TYPEI, TYPEII, TYPEIII, TYPEV, TYPEIV (Optional)					
Driver Brand	PHILIPS / OSRAM / TRIDONIC / MEAN WELL / SOSEN / INVENTRONICS					
Input Voltage	AC90~305V					
Security Level	ClassI / ClassII / Class1 / Class2 (Optional)					
Frequency Range	50/60Hz					
Power Factor	PF≥0.95					
Protection	Overcurrent / Short circuit / Over temperature					
Dimming Mode	Time control / 0-10V / Opticalcontrol / Microwaves / DALI (Optional)					
Lightning Protection	10KV / 15KV / 20KV (Optional)					
Working Conditions Range	-30 to 45°C, 20% to 90% RH					
Warranty	5/8 years (Optional)					
Protection Level	IP66, GlassIK08/09/10 (Optional), Lamp shell IK09					
Certifications	ENEC; CE; CB; IEC; RoHs; TUV; Lightning protection; LM-79; LM-80; IP66					



YASL-26-150

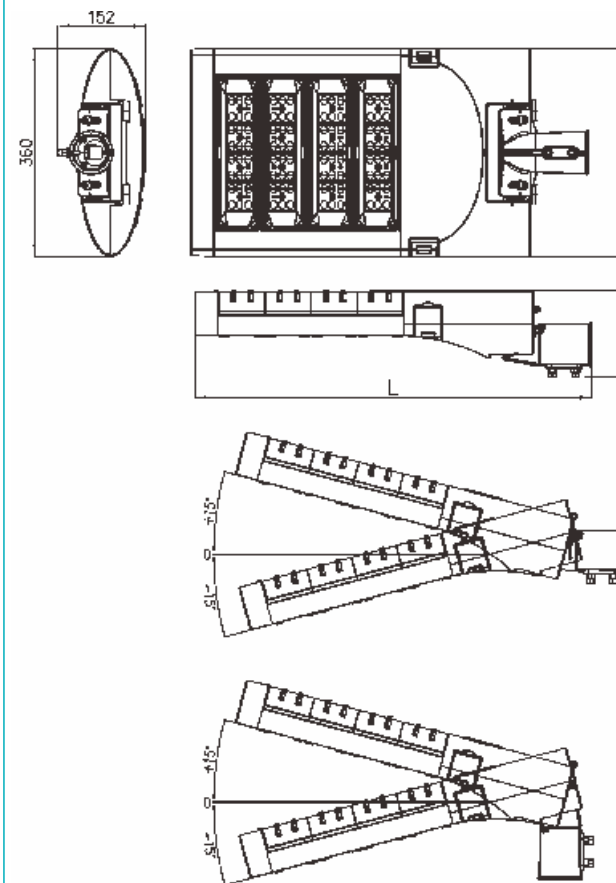
LED Street Light YASL-26

Product Description

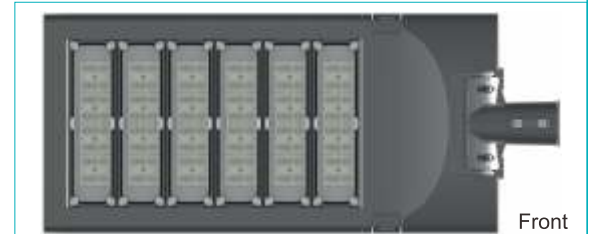
The body, top and bracket is made from die casting, the middle housing is made from extrusion aluminium.
The middle housing could be cutted based on multi module that you used.

IP66 CE ROHS

Product Size (mm)



90 degree installation



Front



Back



Side

Light Distribution (For details, please refer to the summary table of light distribution curves on page 78,79,80.)

YASL-26	IES Type Light Distribution Cure							
	DH-T1	DH-T2-L	DH-T2-M	DH-T2-MB	DH-T3-M	DH-T3-MA	DH-T3-MB	DH-T4-M
DH-T5-M	DY-T2-M	DY-T3-M	GY-T1-M	GY-T2-S	GY-T2-M	GY-T3-M	GY-T2-M01	
GY-T3-M01	GX-T2-S	GX-T2-M	GX-T3-M	GX-T4-M	GX-T4-L	GX-T5	GJ-T2-M	
GJ-T3-M	GJ-T4-M	HY-T2-S	HY-T3-M	HX-T2-S	HX-T2-M	HX-T3-M	HX-T4-M	



YASL-25-240(M)

LED Street Light YASL-25

Installing Ways:
Both Horizontal and Vertical available and adjustable angle -15° to 15°

Material:
Die casting Aluminum body and tempered glass with lens

Product Specification

Product Code	YASL-25-40(M)	YASL-25-60(M)	YASL-25-100(M)	YASL-25-150(M)	YASL-25-240(M)
Input Wattage (W)	30 ~ 50	50 ~ 80	60 ~ 120	120 ~ 200	200 ~ 320
Number of Lenses (PCS)	4	6	9	15	24
Product Size (mm)	555×210×143	608×235×145	645×257×147	790×305×147	890×361×163
Packing Size (mm)	600×260×165	650×270×185	680×290×185	820×320×185	920×370×190
Net Weight (kgs)	2.9	3.3	3.8	5.7	7.2
Gross Weight (kgs)	3.4	3.8	4.0	6.0	7.5
Quantity of Packing (PCS)	1	1	1	1	1
Installation Height (m)	3 ~ 8	4 ~ 8	6 ~ 10	8 ~ 12	12 ~ 14
Installation Pipe Diameter	Φ60mm	Φ60mm	Φ60mm	Φ60mm	Φ60/76mm
Adjustable Angle	±15°Adjustable				
Materials	Housing:Aluminium, Cover:Toughened Glass, Screws:304 stainless screws				
Spray Colors	Double Grey, Sandy Black, Matt Silver				
Led Brand	LUMILEDS, OSRAM, CREE (Optional)				
Led Specifications	3030, 5050 (Optional)				
Optical Effect	130~190 lm/w (Optional)				
Color Temperature	2700K, 3000K, 3500K, 4000K, 5000K, 5700K, 6500K (Optional) (Reference: Energy Star)				
Color Rendering Index	Ra≥70, Ra≥80, Ra≥90 (Optional)				
Optics	TYPEI, TYPEII, TYPEIII, TYPEV, TYPEIV (Optional)				
Driver Brand	PHILIPS / OSRAM / TRIDONIC / MEAN WELL / SOSEN / INVENTRONICS				
Input Voltage	AC90~305V				
Security Level	ClassI / ClassII / Class1 / Class2 (Optional)				
Frequency Range	50/60Hz				
Power Factor	PF≥0.95				
Protection	Overcurrent / Short circuit / Over temperature				
Dimming Mode	Time control / 0-10V / Opticalcontrol / Microwaves / DALI (Optional)				
Lightning Protection	10KV / 15KV / 20KV (Optional)				
Working Conditions Range	-40 to 45°C, 20% to 90% RH				
Warranty	5/8 years (Optional)				
Protection Level	IP66, GlassIK08/09/10 (Optional), Lamp shell IK08				
Certifications	ENEC; CE; CB; IEC; RoHs; TUV; Lightning protection; LM-79; LM-80; IP66				



YASL-25-150(M)

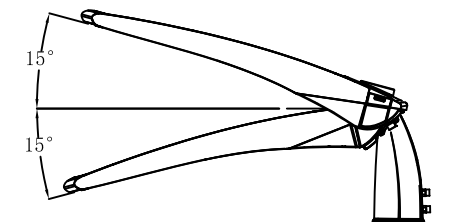
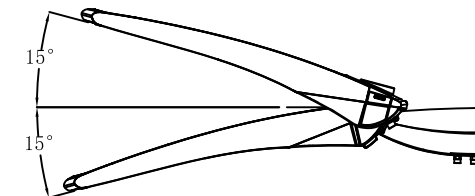
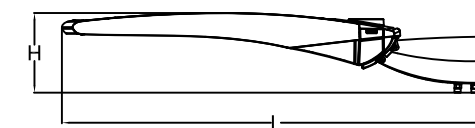
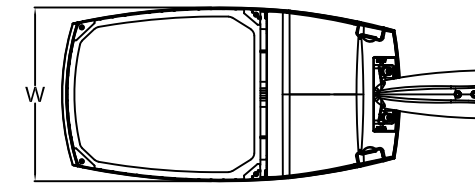
LED Street Light YASL-25

Product Description

YASL-25 is an updated version from YASL-13 with tool free clip design and more solid bracket and installing system. Also separate led and driver cavity make sure the fixture has a better waterproof performance.

IP66 CE ROHS

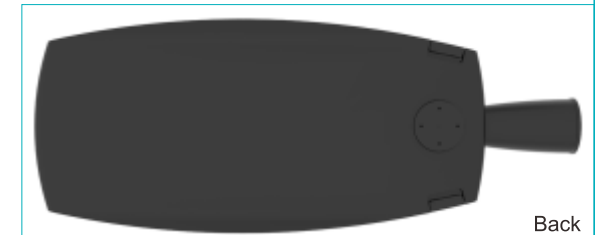
Product Size (mm)



90 degree installation



Front



Back



Side

Light Distribution (For details, please refer to the summary table of light distribution curves on page 78,79,80.)

YASL-25	IES Type Light Distribution Cure							
	DH-T1	DH-T2-L	DH-T2-M	DH-T2-MB	DH-T3-M	DH-T3-MA	DH-T3-MB	DH-T4-M
	DH-T5-M	DY-T2-M	DY-T3-M	GY-T1-M	GY-T2-S	GY-T2-M	GY-T3-M	GY-T2-M01
	GY-T3-M01	GX-T2-S	GX-T2-M	GX-T3-M	GX-T4-M	GX-T4-L	GX-T5	GJ-T2-M
	GJ-T3-M	GJ-T4-M	HY-T2-S	HY-T3-M	HX-T2-S	HX-T2-M	HX-T3-M	HX-T4-M



YASL-24-200

LED Street Light YASL-24

Installing Ways:

Both Horizontal and Vertical available and adjustable angle -15° to 15°

Material:

Die casting aluminium body and tempered glass with lens

Product Specification

Product Code	YASL-24-60	YASL-24-120	YASL-24-200
Input Wattage (W)	30 ~ 60	60 ~ 120	150 ~ 200
Number of Lenses (PCS)	6	12	20
Product Size (mm)	481×260×137	594×263×135	639.5×315×127
Packing Size (mm)	520×310×175	630×310×175	680×370×180
Net Weight (kgs)	2.1	3.0	4.1
Gross Weight (kgs)	2.5	3.5	4.6
Quantity of Packing (PCS)	1	1	1
Installation Height (m)	3 ~ 8	6 ~ 10	8 ~ 12
Installation Pipe Diameter	Φ48/60mm	Φ60mm	Φ60/76mm
Adjustable Angle	±15°Adjustable		
Materials	Housing:Aluminium, Cover:Toughened Glass, Screws:304 stainless screws		
Spray Colors	Double Grey, Sandy Black, Matt Silver		
Led Brand	LUMILEDS, OSRAM, CREE (Optional)		
Led Specifications	3030, 5050 (Optional)		
Optical Effect	130~190 lm/w (Optional)		
Color Temperature	2700K, 3000K, 3500K, 4000K, 5000K, 5700K, 6500K (Optional) (Reference: Energy Star)		
Color Rendering Index	Ra≥70, Ra≥80, Ra≥90 (Optional)		
Optics	TYPEI, TYPEII, TYPEIII, TYPEV, TYPEIV (Optional)		
Driver Brand	PHILIPS / OSRAM / TRIDONIC / MEAN WELL / SOSEN / INVENTRONICS		
Input Voltage	AC90~305V		
Security Level	ClassI / ClassII / Class1 / Class2 (Optional)		
Frequency Range	50/60Hz		
Power Factor	PF≥0.95		
Protection	Overcurrent / Short circuit / Over temperature		
Dimming Mode	Time control / 0-10V / Opticalcontrol / Microwaves / DALI (Optional)		
Lightning Protection	10KV / 15KV / 20KV (Optional)		
Working Conditions Range	-40 to 45°C, 20% to 90% RH		
Warranty	5/8 years (Optional)		
Protection Level	IP66, GlassIK08/09/10 (Optional), Lamp shell IK08		
Certifications	ENEC; CE; CB; IEC; RoHs; TUV; Lightning protection; LM-79; LM-80; IP66		



YASL-24-60



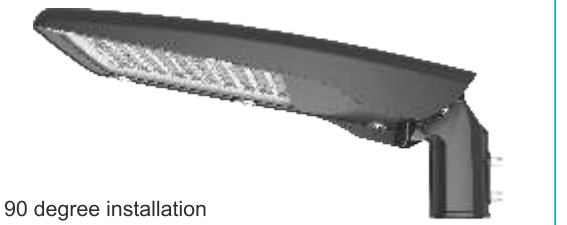
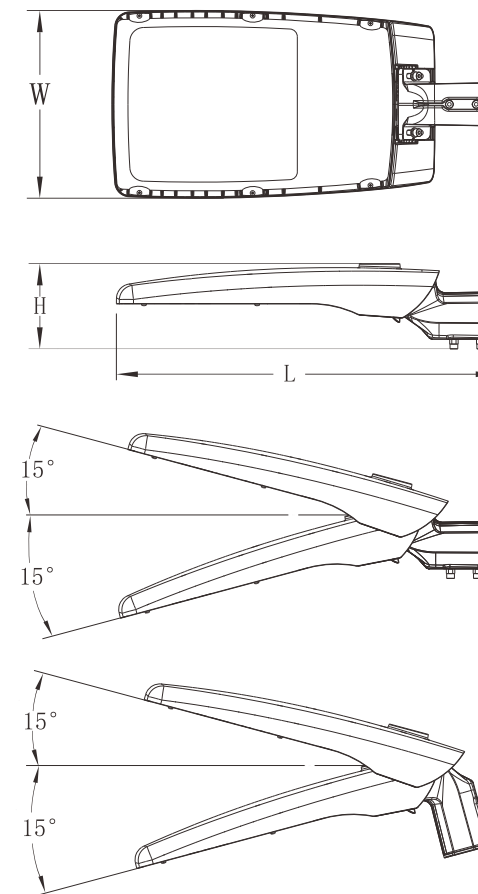
LED Street Light YASL-24

Product Description

This series is a high-performance street lighting available in three sizes. The luminaire is manufactured from high pressure die-casting aluminum. It shall have a led efficiency up to 150 lm/w and will be capable of producing up to 36000 luminaire lumens at 4000K finished in Grey or black as standard.

IP66 CE ROHS

Product Size (mm)



90 degree installation



Front



Back



Side

Light Distribution (For details, please refer to the summary table of light distribution curves on page 78,79,80.)

YASL-24	IES Type Light Distribution Curve							
	DH-T1	DH-T2-L	DH-T2-M	DH-T2-MB	DH-T3-M	DH-T3-MA	DH-T3-MB	DH-T4-M
DH-T5-M	DY-T2-M	DY-T3-M	GY-T1-M	GY-T2-S	GY-T2-M	GY-T3-M	GY-T2-M01	
GY-T3-M01	GX-T2-S	GX-T2-M	GX-T3-M	GX-T4-M	GX-T4-L	GX-T5	GJ-T2-M	
GJ-T3-M	GJ-T4-M							



YASL-21A-150

LED Street Light YASL-21

Installing Ways:
Both Horizontal and Vertical available
and adjustable angle -10 ° to 15 °

Material:
Die casting aluminium body, tempered
glass with lens. PC lens version available
on request.

Product Specification

Product Code	YASL-21A-40	YASL-21A-80	YASL-21A-150
Input Wattage (W)	30 ~ 50	60 ~ 100	100 ~ 150
Number of Lenses (PCS)	4	9	16
Product Size (mm)	564×165×125	719×216×139	836×266×155
Packing Size (mm)	615×215×165	770×265×180	885×315×195
Net Weight (kgs)	3.65	6.45	7.85
Gross Weight (kgs)	4.27	7.2	9.3
Quantity of Packing (PCS)	1	1	1
Installation Height (m)	3 ~ 8	6 ~ 10	8 ~ 12
Installation Pipe Diameter	Φ48/60mm	Φ60mm	Φ60/76mm
Adjustable Angle	±15°Adjustable		
Materials	Housing:Aluminium, Cover:Toughened Glass, Screws:304 stainless screws		
Spray Colors	Double Grey, Sandy Black, Matt Silver		
Led Brand	LUMILEDS, OSRAM, CREE (Optional)		
Led Specifications	3030, 5050 (Optional)		
Optical Effect	130~190 lm/w (Optional)		
Color Temperature	2700K, 3000K, 3500K, 4000K, 5000K, 5700K, 6500K (Optional) (Reference: Energy Star)		
Color Rendering Index	Ra≥70, Ra≥80, Ra≥90 (Optional)		
Optics	TYPEI, TYPEII, TYPEIII, TYPEV, TYPEIV (Optional)		
Driver Brand	PHILIPS / OSRAM / TRIDONIC / MEAN WELL / SOSEN / INVENTRONICS		
Input Voltage	AC90~305V		
Security Level	ClassI / ClassII / Class1 / Class2 (Optional)		
Frequency Range	50/60Hz		
Power Factor	PF≥0.95		
Protection	Overcurrent / Short circuit / Over temperature		
Dimming Mode	Time control / 0-10V / Opticalcontrol / Microwaves / DALI (Optional)		
Lightning Protection	10KV / 15KV / 20KV (Optional)		
Working Conditions Range	-40 to 45°C, 20% to 90% RH		
Warranty	5/8 years (Optional)		
Protection Level	IP66, GlassIK08/09/10 (Optional), Lamp shell IK08		
Certifications	ENEC; CE; CB; IEC; RoHS; TUV; Lightning protection; LM-79; LM-80; IP66		



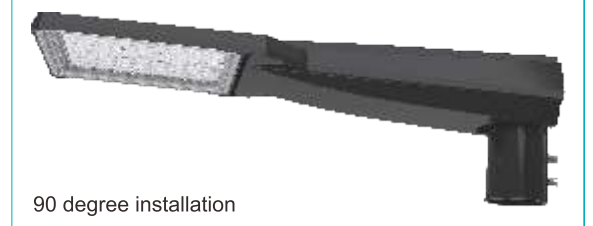
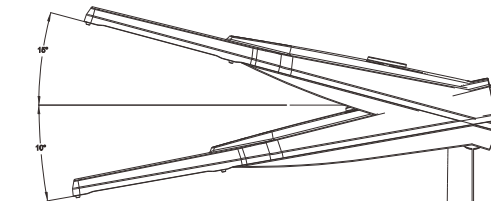
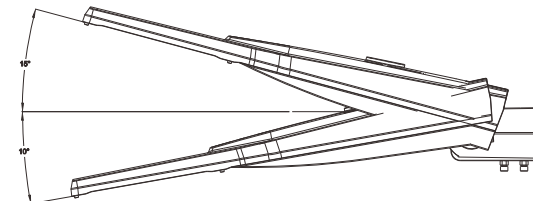
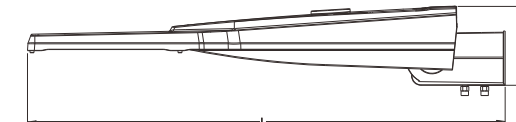
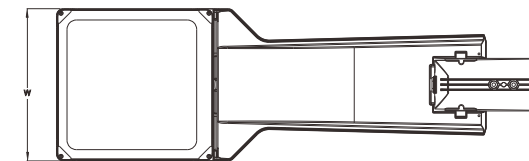
LED Street Light YASL-21

Product Description

YASL-21 has both glass version and PC lens version. Glass version has various optical choice from type II to type IV. However lens version only have type II.

IP66 CE ROHS

Product Size (mm)



Light Distribution (For details, please refer to the summary table of light distribution curves on page 78,79,80.)

YASL-21	IES Type Light Distribution Curve							
	DH-T1	DH-T2-L	DH-T2-M	DH-T2-MB	DH-T3-M	DH-T3-MA	DH-T3-MB	DH-T4-M
	DH-T5-M	DY-T2-M	DY-T3-M	GY-T1-M	GY-T2-S	GY-T2-M	GY-T3-M	GY-T2-M01
	GY-T3-M01	GX-T2-S	GX-T2-M	GX-T3-M	GX-T4-M	GX-T4-L	GX-T5	GJ-T2-M
	GJ-T3-M	GJ-T4-M	HY-T2-S	HY-T3-M	HX-T2-S	HX-T2-M	HX-T3-M	HX-T4-M



YASL-20-300

LED Street Light YASL-20

Installing Ways:
Both Horizontal and Vertical available
and adjustable angle -15 ° to 15 °

Material:
Die casting aluminium and extrusion
aluminium housing. We have both
module with tempered glass and
module with PC lens both.



Product Specification

Product Code	YASL-20-100	YASL-20-150	YASL-20-200	YASL-20-250	YASL-28-300
Input Wattage (W)	60 ~ 120	120 ~ 180	160 ~ 240	200 ~ 300	240 ~ 360
Number of Lenses (PCS)	8	12	16	20	24
Product Size (mm)	738×371×158	818×371×158	898×371×158	978×371×158	1058×371×158
Packing Size (mm)	780×410×195	860×410×195	940×410×195	1020×410×195	1100×410×195
Net Weight (kgs)	5.5	5.8	6.2	6.5	6.9
Gross Weight (kgs)	6.5	6.5	7.2	7.5	7.9
Quantity of Packing (PCS)	1	1	1	1	1
Installation Height (m)	3 ~ 6	4 ~ 8	6 ~ 10	8 ~ 14	12 ~ 14
Installation Pipe Diameter	Φ45/60mm	Φ45/60mm	Φ45/60mm	Φ45/60mm	Φ45/60mm
Adjustable Angle	±15°Adjustable				
Materials	Housing:Aluminium, Cover:Toughened Glass, Screws:304 stainless screws				
Spray Colors	Double Grey, Sandy Black, Matt Silver				
Led Brand	LUMILEDS, OSRAM, CREE (Optional)				
Led Specifications	3030, 5050 (Optional)				
Optical Effect	130~190 lm/w (Optional)				
Color Temperature	2700K, 3000K, 3500K, 4000K, 5000K, 5700K, 6500K (Optional) (Reference: Energy Star)				
Color Rendering Index	Ra≥70, Ra≥80, Ra≥90 (Optional)				
Optics	TYPEI, TYPEII, TYPEIII, TYPEV, TYPEIV (Optional)				
Driver Brand	PHILIPS / OSRAM / TRIDONIC / MEAN WELL / SOSEN / INVENTRONICS				
Input Voltage	AC90~305V				
Security Level	ClassI / ClassII / Class1 / Class2 (Optional)				
Frequency Range	50/60Hz				
Power Factor	PF≥0.95				
Protection	Overcurrent / Short circuit / Over temperature				
Dimming Mode	Time control / 0-10V / Opticalcontrol / Microwaves / DALI (Optional)				
Lightning Protection	10KV / 15KV / 20KV (Optional)				
Working Conditions Range	-30 to 45°C, 20% to 90% RH				
Warranty	5/8 years (Optional)				
Protection Level	IP66, GlassIK08/09/10 (Optional), Lamp shell IK09				
Certifications	ENEC; CE; CB; IEC; RoHs; TUV; Lightning protection; LM-79; LM-80; IP66				



YASL-20-300

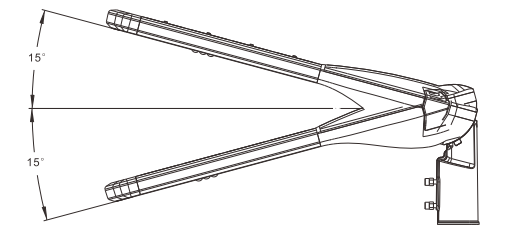
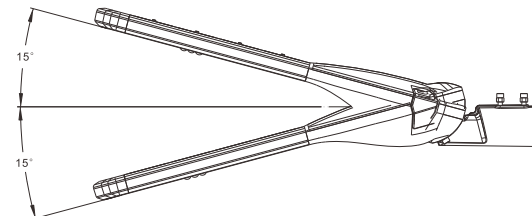
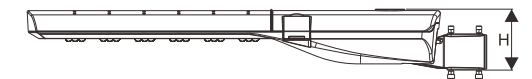
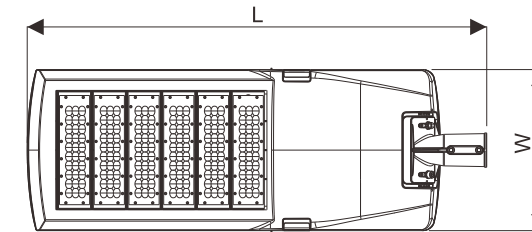
LED Street Light YASL-20

Product Description

This series is a high-performance street lighting available in five sizes.
The luminaire is manufactured from high pressure die-casting aluminum.
It shall have a led efficiency up to 170 lm/w and will be capable of producing
up to 36000 luminaire lumens at 4000K finished in Grey or black as standard.

IP66 CE ROHS

Product Size (mm)



90 degree installation



Front



Back



Side

Light Distribution (For details, please refer to the summary table of light distribution curves on page 78,79,80.)

YASL-20	IES Type Light Distribution Curve							
	DH-T1	DH-T2-L	DH-T2-M	DH-T2-MB	DH-T3-M	DH-T3-MA	DH-T3-MB	DH-T4-M
	DH-T5-M	DY-T2-M	DY-T3-M	GY-T1-M	GY-T2-S	GY-T2-M	GY-T3-M	GY-T2-M01
	GY-T3-M01	GX-T2-S	GX-T2-M	GX-T3-M	GX-T4-M	GX-T4-L	GX-T5	GJ-T2-M
	GJ-T3-M	GJ-T4-M	HY-T2-S	HY-T3-M	HX-T2-S	HX-T2-M	HX-T3-M	HX-T4-M



YASL-19-150

LED Street Light YASL-19

Installing Ways:
Both Horizontal and Vertical available
and adjustable angle -15° to 15°

Material:
Die casting Aluminum body
Ultra clear tempered glass and PC lens

Product Specification

Product Code	YASL-19-30M	YASL-19-50M	YASL-19-80M	YASL-19-150M	YASL-19-400M
Input Wattage (W)	30 ~ 60	50 ~ 80	80 ~ 150	150 ~ 240	240 ~ 400
Number of Lenses (PCS)	4	6	9	20	35(MAX 42)
Product Size (mm)	543×186×105	577×233×103	627×272×103	768×301×103	963×401×124
Packing Size (mm)	580×230×160	610×270×140	655×320×160	795×330×145	1000×430×150
Net Weight (kgs)	3.8	4.1	4.6	7.4	10
Gross Weight (kgs)	4.2	4.5	5.0	7.9	11
Quantity of Packing (PCS)	1	1	1	1	1
Installation Height (m)	3 ~ 6	4 ~ 8	6 ~ 10	8 ~ 14	12 ~ 14
Installation Pipe Diameter	Φ45/60mm	Φ45/60mm	Φ45/60mm	Φ60/76mm	Φ60/76mm
Adjustable Angle	±15°Adjustable				
Materials	Housing:Aluminium, Cover:Toughened Glass, Screws:304 stainless screws				
Spray Colors	Double Grey, Sandy Black, Matt Silver				
Led Brand	LUMILEDS, OSRAM, CREE (Optional)				
Led Specifications	3030, 5050 (Optional)				
Optical Effect	130~190 lm/w (Optional)				
Color Temperature	2700K, 3000K, 3500K, 4000K, 5000K, 5700K, 6500K (Optional) (Reference: Energy Star)				
Color Rendering Index	Ra≥70, Ra≥80, Ra≥90 (Optional)				
Optics	TYPEI, TYPEII, TYPEIII, TYPEV, TYPEIV (Optional)				
Driver Brand	PHILIPS / OSRAM / TRIDONIC / MEAN WELL / SOSEN / INVENTRONICS				
Input Voltage	AC90~305V				
Security Level	ClassI / ClassII / Class1 / Class2 (Optional)				
Frequency Range	50/60Hz				
Power Factor	PF≥0.95				
Protection	Overcurrent / Short circuit / Over temperature				
Dimming Mode	Time control / 0-10V / Opticalcontrol / Microwaves / DALI (Optional)				
Lightning Protection	10KV / 15KV / 20KV (Optional)				
Working Conditions Range	-30 to 45°C, 20% to 90% RH				
Warranty	5/8 years (Optional)				
Protection Level	IP66, GlassIK08/09/10 (Optional), Lamp shell IK09				
Certifications	ENEC; CE; CB; IEC; RoHs; TUV; Lightning protection; LM-79; LM-80; IP66				



YASL-19-50

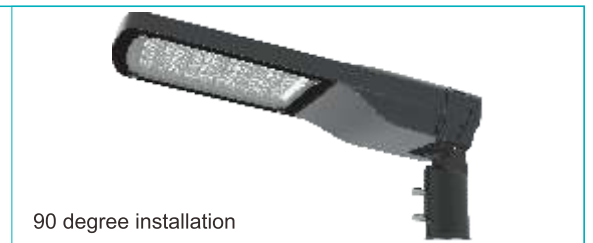
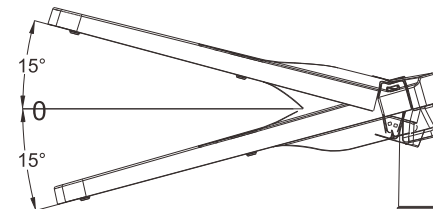
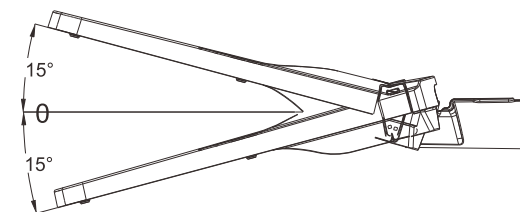
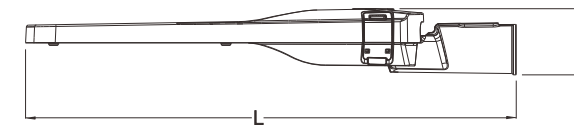
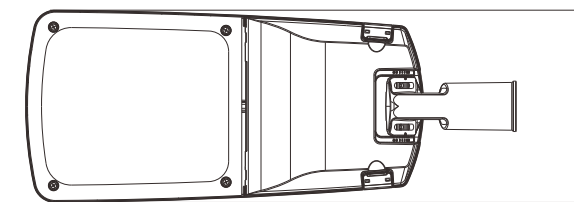
LED Street Light YASL-19

Product Description

This series is a high-performance street lighting available in five sizes. The luminaire is manufactured from high pressure die-casting aluminum. It shall have a led efficiency up to 170 lm/w and will be capable of producing up to 68000 luminaire lumens at 4000K finished in Grey or black as standard.

IP66 CE ROHS

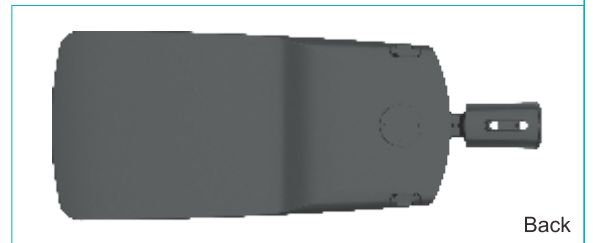
Product Size (mm)



90 degree installation



Front



Back



Side

Light Distribution (For details, please refer to the summary table of light distribution curves on page 78,79,80.)

YASL-19	IES Type Light Distribution Curve							
	DH-T1	DH-T2-L	DH-T2-M	DH-T2-MB	DH-T3-M	DH-T3-MA	DH-T3-MB	DH-T4-M
DH-T5-M	DY-T2-M	DY-T3-M	GY-T1-M	GY-T2-S	GY-T2-M	GY-T3-M	GY-T2-M01	
GY-T3-M01	GX-T2-S	GX-T2-M	GX-T3-M	GX-T4-M	GX-T4-L	GX-T5	GJ-T2-M	
GJ-T3-M	GJ-T4-M	HY-T2-S	HY-T3-M	HX-T2-S	HX-T2-M	HX-T3-M	HX-T4-M	



LED Street Light YASL-18

Installing Ways:
Both Horizontal and Vertical available
and adjustable angle -10° to 10°

Material:
Die casting Aluminum body
Ultra clear tempered glass and PC lens

Product Specification

Product Code	YASL-18-30	YASL-18-80	YASL-18-150
Input Wattage (W)	30 ~ 60	60 ~ 150	150 ~ 200
Number of Lenses (PCS)	4	9	16
Product Size (mm)	548×182×193	644×270×223	740×308×225
Packing Size (mm)	620×245×185	720×320×210	820×340×210
Net Weight (kgs)	3.0	6.0	7.4
Gross Weight (kgs)	3.5	6.5	8.0
Quantity of Packing (PCS)	1	1	1
Installation Height (m)	3 ~ 8	6 ~ 12	10 ~ 14
Installation Pipe Diameter	Φ48/60mm	Φ48/60mm	Φ48/60mm
Adjustable Angle	±10°Adjustable		
Materials	Housing:Aluminium, Cover:Toughened Glass, Screws:304 stainless screws		
Spray Colors	Double Grey, Sandy Black, Matt Silver		
Led Brand	LUMILEDS, OSRAM, CREE (Optional)		
Led Specifications	3030, 5050 (Optional)		
Optical Effect	130~180 lm/w (Optional)		
Color Temperature	2700K, 3000K, 3500K, 4000K, 5000K, 5700K, 6500K (Optional) (Reference: Energy Star)		
Color Rendering Index	Ra≥70, Ra≥80, Ra≥90 (Optional)		
Optics	TYPEI, TYPEII, TYPEIII, TYPEV, TYPEIV (Optional)		
Driver Brand	PHILIPS / OSRAM / TRIDONIC / MEAN WELL / SOSEN / INVENTRONICS		
Input Voltage	AC90~305V		
Security Level	ClassI / ClassII / Class1 / Class2 (Optional)		
Frequency Range	50/60Hz		
Power Factor	PF≥0.95		
Protection	Overcurrent / Short circuit / Over temperature		
Dimming Mode	Time control / 0-10V / Opticalcontrol / Microwaves / DALI (Optional)		
Lightning Protection	10KV / 15KV / 20KV (Optional)		
Working Conditions Range	-30 to 45°C, 20% to 90% RH		
Warranty	5/8 years (Optional)		
Protection Level	IP66, GlassIK08/09/10 (Optional), Lamp shell IK08		
Certifications	ENEC; CE; CB; IEC; RoHs; TUV; Lightning protection; LM-79; LM-80; IP66		



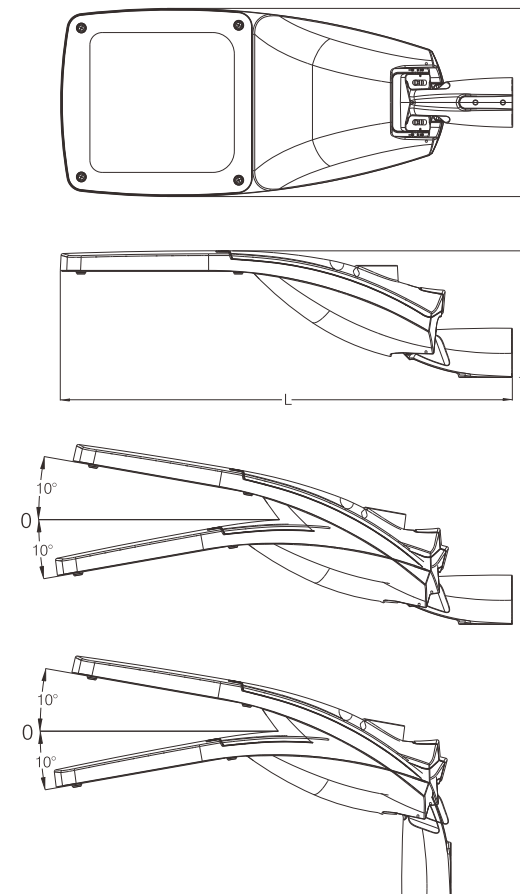
LED Street Light YASL-18

Product Description

This series is a high-performance street lighting available in three sizes. The luminaire is manufactured from high pressure die-casting aluminum. It shall have a led efficiency up to 170 lm/w and will be capable of producing up to 18000 luminaire lumens at 3400K finished in Grey or black as standard.

IP66 CE ROHS

Product Size (mm)



Light Distribution (For details, please refer to the summary table of light distribution curves on page 78,79,80.)

YASL-18	IES Type Light Distribution Curve							
	DH-T1	DH-T2-L	DH-T2-M	DH-T2-MB	DH-T3-M	DH-T3-MA	DH-T3-MB	DH-T4-M
DH-T5-M	DY-T2-M	DY-T3-M	GY-T1-M	GY-T2-S	GY-T2-M	GY-T3-M	GY-T2-M01	
GY-T3-M01	GX-T2-S	GX-T2-M	GX-T3-M	GX-T4-M	GX-T4-L	GX-T5	GJ-T2-M	
GJ-T3-M	GJ-T4-M	HY-T2-S	HY-T3-M	HX-T2-S	HX-T2-M	HX-T3-M	HX-T4-M	



LED Street Light YASL-17

Installing Ways:

YASL-17B&YASL-17D: Both Horizontal and Vertical available and adjustable angle -20 ° to 20 °

YASL-17S&YASL-17C: Horizontal installation, Angle is not adjustable

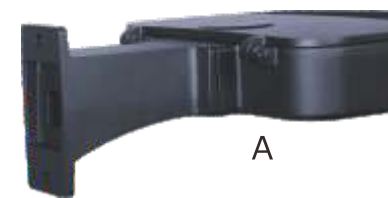
Material:

Die casting Aluminum body and PC lens

YASL-17-200

Product Specification

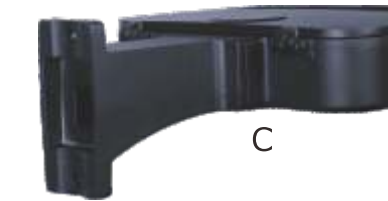
Product Code	YASL 17A-150	YASL 17B-150	YASL 17C-150	YASL 17D-150	YASL 17A-300	YASL 17B-300	YASL 17C-300	YASL 17D-300
Input Wattage (W)	150				300			
Number of Lenses (PCS)	2(M)				4(M)			
Product Size (mm)	625×305×140	683×305×88	631×305×140	627×305×72	725×355×140	783×355×88	731×355×140	727×355×72
Packing Size (mm)	530×350×130				630×400×130			
Net Weight (kgs)	5.8	6.3	5.8	6.3	8.4	8.9	8.4	8.9
Gross Weight (kgs)	6.5	7	6.5	7	9	8.5	9	8.5
Quantity of Packing (PCS)	1	1	1	1	1	1	1	1
Installation Height (m)	8 ~ 12				10 ~ 14			
Installation Pipe Diameter	Referenc figure A	Referenc figure B (60)	Referenc figure C	Referenc figure D	Referenc figure A	Referenc figure B (60)	Referenc figure C	Referenc figure D
Adjustable Angle	±15°Adjustable							
Materials	HHousing:Aluminium, Cover:Toughened Glass, Screws:304 stainless screws							
Spray Colors	Double Grey, Sandy Black, Matt Silver							
Led Brand	LUMILEDS, OSRAM, CREE (Optional)							
Led Specifications	3030, 5050 (Optional)							
Optical Effect	130~170 lm/w (Optional)							
Color Temperature	2700K, 3000K, 3500K, 4000K, 5000K, 5700K, 6500K (Optional) (Reference: Energy Star)							
Color Rendering Index	Ra≥70, Ra≥80, Ra≥90 (Optional)							
Optics	TYPEI, TYPEII, TYPEIII, TYPEV, TYPEIV (Optional)							
Driver Brand	PHILIPS / OSRAM / TRIDONIC / MEAN WELL / SOSEN / INVENTRONICS							
Input Voltage	AC90~305V							
Security Level	ClassI / ClassII / Class1 / Class2 (Optional)							
Frequency Range	50/60Hz							
Power Factor	PF≥0.95							
Protection	Overcurrent / Short circuit / Over temperature							
Dimming Mode	Time control / 0-10V / Opticalcontrol / Microwaves / DALI (Optional)							
Lightning Protection	10KV / 15KV / 20KV (Optional)							
Working Conditions Range	-40 to 45°C, 20% to 90% RH							
Warranty	5/8 years (Optional)							
Protection Level	IP66, GlassIK08/09/10 (Optional), Lamp shell IK08							
Certifications	ENEC; CE; CB; IEC; RoHs; TUV; Lightning protection; LM-79; LM-80; IP66							



A



B



C



D

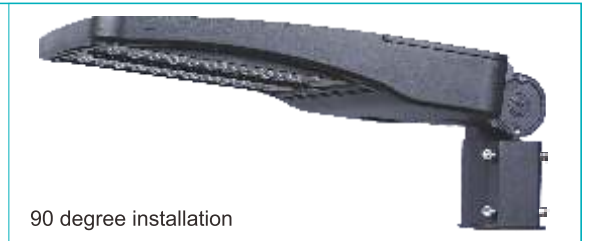
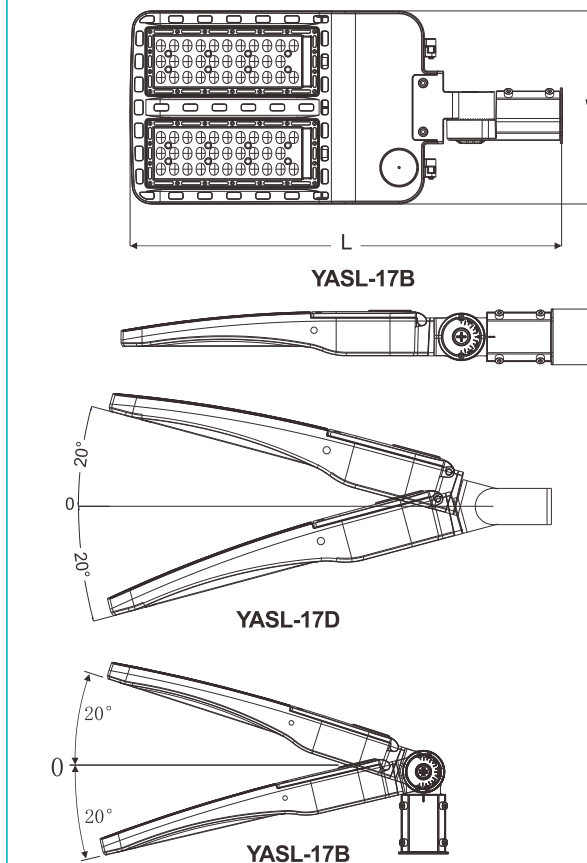
LED Street Light YASL-17

Product Description

This series is a high-performance street lighting available in two sizes. The luminaire is manufactured from high pressure die-casting aluminum. It shall have a led efficiency up to 170 lm/w and will be capable of producing up to 45000 luminaire lumens at 4000K finished in Grey or black as standard.

IP66 CE ROHS

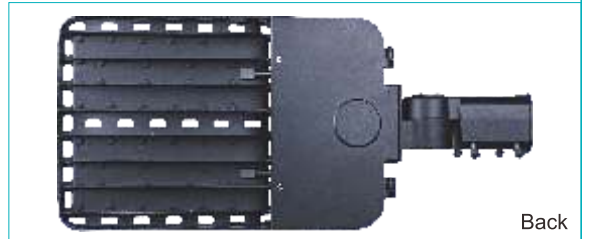
Product Size (mm)



90 degree installation



Front

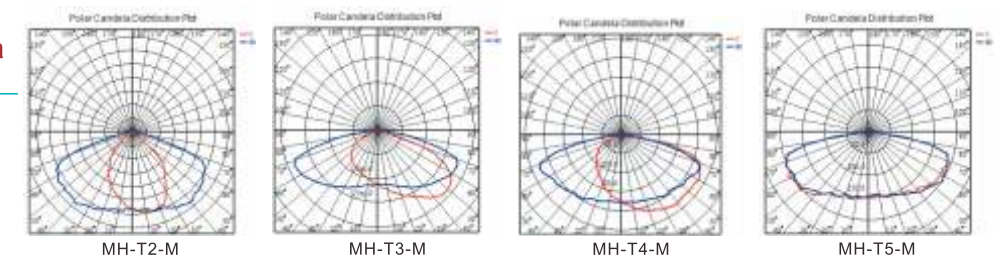


Back



Side

Photometric Data



MH-T2-M

MH-T3-M

MH-T4-M

MH-T5-M



SOLAR LED Street Light YASL-16

Installing Ways:
Both Horizontal and Vertical available and adjustable angle -15° to 15°

Material:
Die casting Aluminum body
Ultra clear tempered glass and PC lens

YASL-16-20

Product Specification

Product Code	YASL-16-10		YASL-16-20	
	10W	20W	30W	40W
Nominal Power	10W	20W	30W	40W
Quantity (3030/5050)	48/24 PCS	96/24 PCS	192/48 PCS	192/48 PCS
Battery Capacity	12.8V/6AH	12.8V/12AH	12.8V/18AH	12.8V/24AH
Solar Panel Power	18V/17W	18V/26W	18V/33W	18V/42W
Charging Time	4.5H	5.9H	6.9H	7.3H
Number of Lenses (PCS)	1		2	
Product Size (mm)	666×289×117		832×345×117	
Packing Size (mm)	685×300×160		850×360×150	
Net Weight (kgs)	5.5		7.5	
Gross Weight (kgs)	6.0		8.0	
Quantity of Packing (PCS)	1		1	
Installation Height (m)	3~6		4~8	
Installation Pipe Diameter	Φ45/60mm		Φ45/60mm	
Adjustable Angle	±15°Adjustable			
Materials	Housing:Aluminium, Cover:Toughened Glass, Screws:304 stainless screws			
Spray Colors	Double Grey, Sandy Black, Matt Silver			
Led Brand	LUMILEDS, OSRAM, CREE (Optional)			
Led Specifications	3030, 5050 (Optional)			
Optical Effect	150~220 lm/w (Optional)			
Color Temperature	2700K, 3000K, 3500K, 4000K, 5000K, 5700K, 6500K (Optional) (Reference: Energy Star)			
Color Rendering Index	Ra≥70, Ra≥80, Ra≥90 (Optional)			
Optics	TYPEI, TYPEII, TYPEIII, TYPEV (Optional)			
Discharge Time	4-5 days			
Frequency Range	50/60Hz			
Induction Distance	12m			
Battery Type	Lithium iron phosphate			
Dimming Mode	Microwave induction / Infrared sensing (Optional)			
Solar Panels	Mono-Crystalline Silicon solar panel			
Working Conditions Range	-30 to 45°C, 20% to 90% RH			
Warranty	3 years (Optional)			
Protection Level	IP65, GlassIK08			
Certifications	CE; RoHs; TUV; LM-79; LM-80; IP66			



SOLAR LED Street Light YASL-16

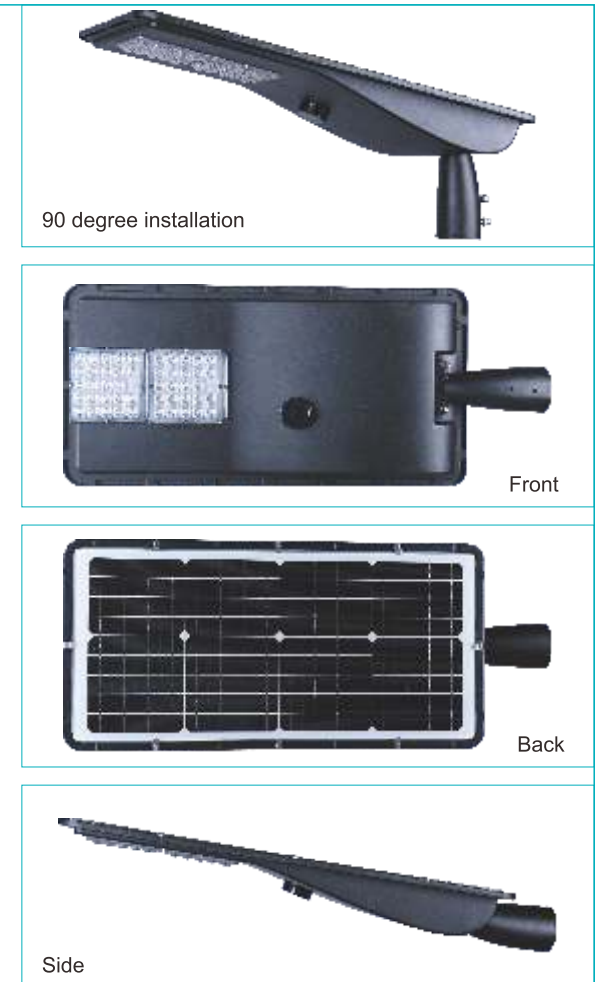
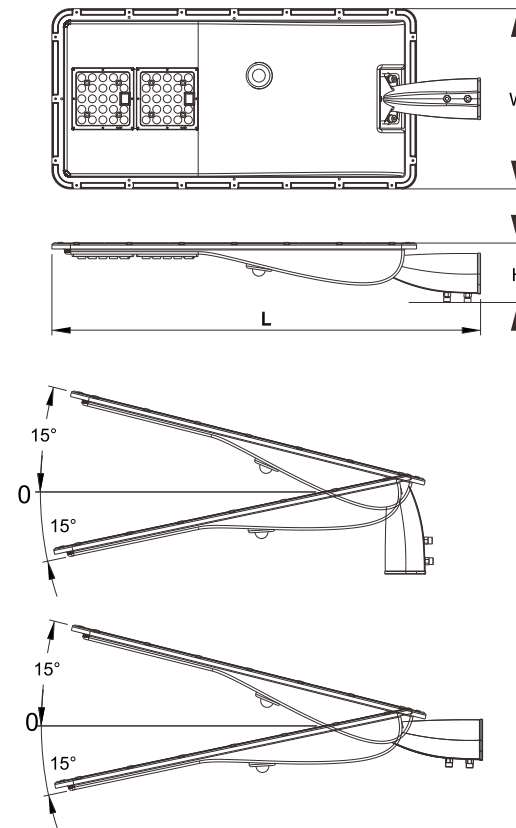
Product Description

This series is a high-performance street lighting available in two sizes. The luminaire is manufactured from high pressure die-casting aluminum. It shall have a led efficiency up to 170 lm/w and will be capable of producing up to 6000 luminaire lumens at 4000K finished in Grey or black as standard.

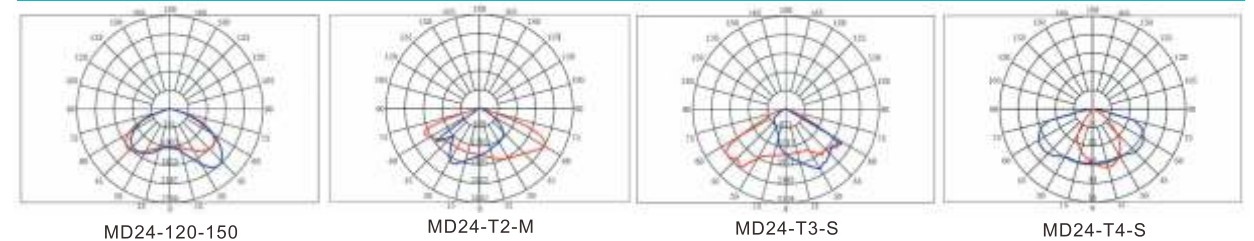
IP66 CE ROHS

YASL-16-10

Product Size (mm)



Photometric Data





LED Street Light YASL-15

Installing Ways:
Both Horizontal and Vertical available
and adjustable angle -5 ° to 15 °

Material:
Die casting Aluminum body
Ultra clear tempered glass and PC lens

YASL-15-150

Product Specification

Product Code	YASL-15-40	YASL-15-80	YASL-15-150
Input Wattage (W)	30 ~ 50	50 ~ 100	120 ~ 200
Number of Lenses (PCS)	4	8	16
Product Size (mm)	563×196×193	622×292×214	795×331×214
Packing Size (mm)	600×240×150	710×330×130	875×370×130
Net Weight (kgs)	3.5	5.0	8.5
Gross Weight (kgs)	4	5.5	9.0
Quantity of Packing (PCS)	1	1	1
Installation Height (m)	3 ~ 8	6 ~ 10	8 ~ 12
Installation Pipe Diameter	Φ60mm	Φ60mm	Φ60mm
Adjustable Angle	-5 ~ +15°Adjustable		
Materials	Housing:Aluminium, Cover:Toughened Glass, Screws:304 stainless screws		
Spray Colors	Double Grey, Sandy Black, Matt Silver		
Led Brand	LUMILEDS, OSRAM, CREE (Optional)		
Led Specifications	3030, 5050 (Optional)		
Optical Effect	130~190 lm/w (Optional)		
Color Temperature	2700K, 3000K, 3500K, 4000K, 5000K, 5700K, 6500K (Optional) (Reference: Energy Star)		
Color Rendering Index	Ra≥70, Ra≥80, Ra≥90 (Optional)		
Optics	TYPEI, TYPEII, TYPEIII, TYPEV, TYPEIV (Optional)		
Driver Brand	PHILIPS / OSRAM / TRIDONIC / MEAN WELL / SOSEN / INVENTRONICS		
Input Voltage	AC90~305V		
Security Level	ClassI / ClassII / Class1 / Class2 (Optional)		
Frequency Range	50/60Hz		
Power Factor	PF≥0.95		
Protection	Overcurrent / Short circuit / Over temperature		
Dimming Mode	Time control / 0-10V / Opticalcontrol / Microwaves / DALI (Optional)		
Lightning Protection	10KV / 15KV / 20KV (Optional)		
Working Conditions Range	-40 to 45°C, 20% to 90% RH		
Warranty	5/8 years (Optional)		
Protection Level	IP66, GlassIK08/09/10 (Optional), Lamp shell IK08		
Certifications	ENEC; CE; CB; IEC; RoHs; TUV; Lightning protection; LM-79; LM-80; IP66		



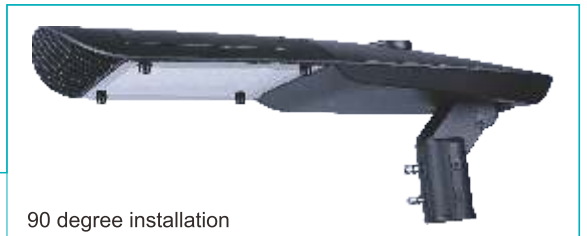
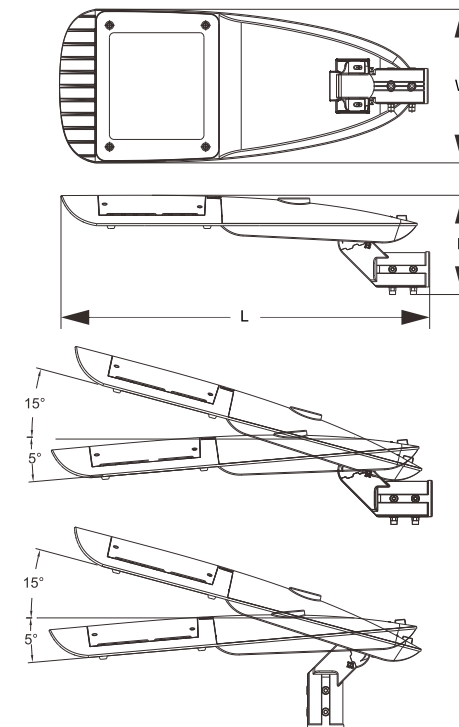
LED Street Light YASL-15

Product Description

This series is a high-performance street lighting available in three sizes. The luminaire is manufactured from high pressure die-casting aluminum. It shall have a led efficiency up to 170 lm/w and will be capable of producing up to 18000 luminaire lumens at 4000K finished in Grey or black as standard.

IP66 CE ROHS

Product Size (mm)



90 degree installation



Front



Back



Side

Light Distribution (For details, please refer to the summary table of light distribution curves on page 78,79,80.)

YASL-15	IES Type Light Distribution Cure							
	DH-T1	DH-T2-L	DH-T2-M	DH-T2-MB	DH-T3-M	DH-T3-MA	DH-T3-MB	DH-T4-M
DH-T5-M	DY-T2-M	DY-T3-M	GY-T1-M	GY-T2-S	GY-T2-M	GY-T3-M	GY-T2-M01	
GY-T3-M01	GX-T2-S	GX-T2-M	GX-T3-M	GX-T4-M	GX-T4-L	GX-T5	GJ-T2-M	
GJ-T3-M	GJ-T4-M	HY-T2-S	HY-T3-M	HX-T2-S	HX-T2-M	HX-T3-M	HX-T4-M	



Die-casting Man



YASL-14-120

LED Street Light YASL-14

Installing Ways:
Both Horizontal and Vertical available
and adjustable angle -15° to 15°

Material:
Die casting Aluminum body
Ultra clear tempered glass and PC lens



Product Specification

Product Code	YASL-14-40	YASL-14-80	YASL-14-120
Input Wattage (W)	30 ~ 80	80 ~ 150	150 ~ 240
Number of Lenses (PCS)	6	12	20
Product Size (mm)	620×287×132	738×289×131	923×362×152
Packing Size (mm)	670×315×190	775×315×190	965×420×195
Net Weight (kgs)	4.6	5.4	9.8
Gross Weight (kgs)	5.0	6.5	11.5
Quantity of Packing (PCS)	1	1	1
Installation Height (m)	3 ~ 8	6 ~ 12	10 ~ 14
Installation Pipe Diameter	Φ48/60mm	Φ48/60mm	Φ60/76mm
Adjustable Angle	±15°Adjustable		
Materials	Housing:Aluminium, Cover:Toughened Glass, Screws:304 stainless screws		
Spray Colors	Double Grey, Sandy Black, Matt Silver		
Led Brand	LUMILEDS, OSRAM, CREE (Optional)		
Led Specifications	3030, 5050 (Optional)		
Optical Effect	130~180 lm/w (Optional)		
Color Temperature	2700K, 3000K, 3500K, 4000K, 5000K, 5700K, 6500K (Optional) (Reference: Energy Star)		
Color Rendering Index	Ra≥70, Ra≥80, Ra≥90 (Optional)		
Optics	TYPEI, TYPEII, TYPEIII, TYPEV, TYPEIV (Optional)		
Driver Brand	PHILIPS / OSRAM / TRIDONIC / MEAN WELL / SOSEN / INVENTRONICS		
Input Voltage	AC90~305V		
Security Level	ClassI / ClassII / Class1 / Class2 (Optional)		
Frequency Range	50/60Hz		
Power Factor	PF≥0.95		
Protection	Overcurrent / Short circuit / Over temperature		
Dimming Mode	Time control / 0-10V / Opticalcontrol / Microwaves / DALI (Optional)		
Lightning Protection	10KV / 15KV / 20KV (Optional)		
Working Conditions Range	-30 to 45°C, 20% to 90% RH		
Warranty	5/8 years (Optional)		
Protection Level	IP66, GlassIK08/09/10 (Optional), Lamp shell IK09		
Certifications	ENEC; CE; CB; IEC; RoHs; TUV; Lightning protection; LM-79; LM-80; IP66		



Die-casting Man



YASL-14-80

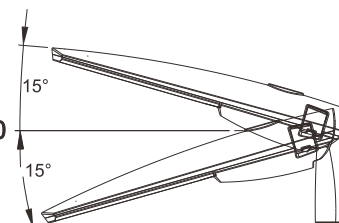
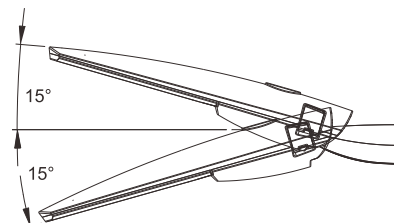
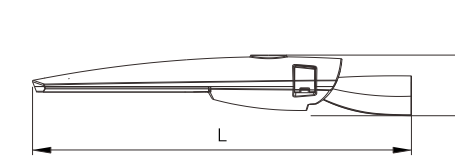
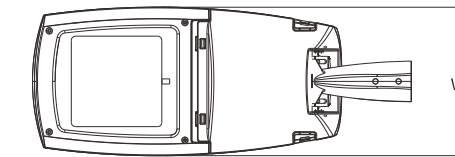
LED Street Light YASL-14

Product Description

This series is a high-performance street lighting available in three sizes.
The luminaire is manufactured from high pressure die-casting aluminum.
It shall have a led efficiency up to 170 lm/w and will be capable of producing up to 18000 luminaire lumens at 4000K finished in Grey or black as standard.

IP66 CE ROHS

Product Size (mm)



90 degree installation



Front



Back



Side

Light Distribution (For details, please refer to the summary table of light distribution curves on page 78,79,80.)

YASL-14	IES Type Light Distribution Curve							
	DH-T1	DH-T2-L	DH-T2-M	DH-T2-MB	DH-T3-M	DH-T3-MA	DH-T3-MB	DH-T4-M
	DH-T5-M	DY-T2-M	DY-T3-M	GY-T1-M	GY-T2-S	GY-T2-M	GY-T3-M	GY-T2-M01
	GY-T3-M01	GX-T2-S	GX-T2-M	GX-T3-M	GX-T4-M	GX-T4-L	GX-T5	GJ-T2-M
	GJ-T3-M	GJ-T4-M	HY-T2-S	HY-T3-M	HX-T2-S	HX-T2-M	HX-T3-M	HX-T4-M



Die-casting Man

LED Street Light YASL-13

Installing Ways:
Both Horizontal and Vertical available
and adjustable angle -15 °to 15 °

Material:
Die casting body,
Ultra clear tempered glass and PC lens

Product Specification

Product Code	YASL-13-50	YASL-13-100	YASL-13-150
Input Wattage (W)	30 ~ 50	60 ~ 100	100 ~ 200
Number of Lenses (PCS)	6	12	20
Product Size (mm)	641×241×114	738×289×114	923×360×150
Packing Size (mm)	695×285×130	790×340×135	970×415×180
Net Weight (kgs)	3.9	5.4	9.8
Gross Weight (kgs)	4.6	6.5	11.5
Quantity of Packing (PCS)	1	1	1
Installation Height (m)	3 ~ 8	6 ~ 12	10 ~ 14
Installation Pipe Diameter	Φ60mm	Φ60mm	Φ60/70mm
Adjustable Angle	±15°Adjustable		
Materials	Housing:Aluminium, Cover:Toughened Glass, Screws:304 stainless screws		
Spray Colors	Double Grey, Sandy Black, Matt Silver		
Led Brand	LUMILEDS, OSRAM, CREE (Optional)		
Led Specifications	3030, 5050 (Optional)		
Optical Effect	130~190 lm/w (Optional)		
Color Temperature	2700K, 3000K, 3500K, 4000K, 5000K, 5700K, 6500K (Optional) (Reference: Energy Star)		
Color Rendering Index	Ra≥70, Ra≥80, Ra≥90 (Optional)		
Optics	TYPEI, TYPEII, TYPEIII, TYPEV, TYPEIV (Optional)		
Driver Brand	PHILIPS / OSRAM / TRIDONIC / MEAN WELL / SOSEN / INVENTRONICS		
Input Voltage	AC90~305V		
Security Level	ClassI / ClassII / Class1 / Class2 (Optional)		
Frequency Range	50/60Hz		
Power Factor	PF≥0.95		
Protection	Overcurrent / Short circuit / Over temperature		
Dimming Mode	Time control / 0-10V / Opticalcontrol / Microwaves / DALI (Optional)		
Lightning Protection	10KV / 15KV / 20KV (Optional)		
Working Conditions Range	-40 to 45°C, 20% to 90% RH		
Warranty	5/8 years (Optional)		
Protection Level	IP66, GlassIK08/09/10 (Optional), Lamp shell IK08		
Certifications	ENEC; CE; CB; IEC; RoHs; TUV; Lightning protection; LM-79; LM-80; IP66		



Die-casting Man

LED Street Light YASL-13

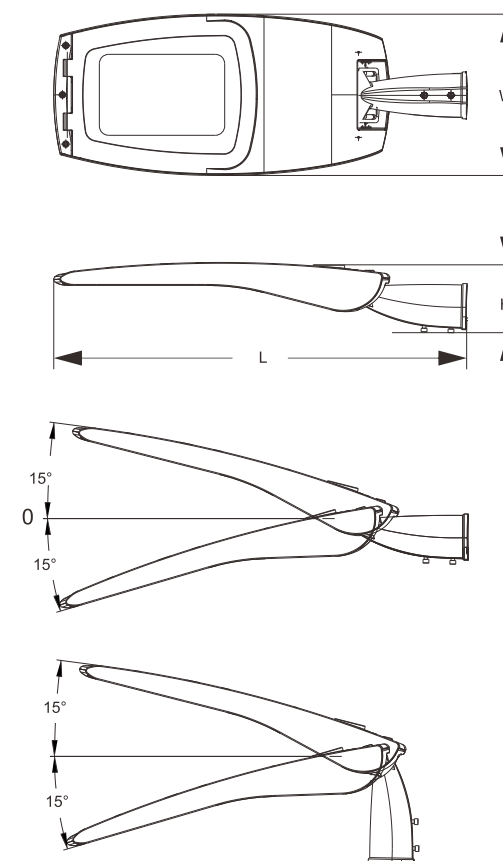
Product Description

This series is a high-performance street lighting available in three sizes. The luminaire is manufactured from high pressure die-casting aluminum. It shall have a led efficiency up to 170 lm/w and will be capable of producing up to 18000 luminaire lumens at 4000K finished in Grey or black as standard.

IP66 CE ROHS



Product Size (mm)



Light Distribution (For details, please refer to the summary table of light distribution curves on page 78,79,80.)

YASL-13	IES Type Light Distribution Curve							
	DH-T1	DH-T2-L	DH-T2-M	DH-T2-MB	DH-T3-M	DH-T3-MA	DH-T3-MB	DH-T4-M
DH-T5-M	DY-T2-M	DY-T3-M	GY-T1-M	GY-T2-S	GY-T2-M	GY-T3-M	GY-T2-M01	
GY-T3-M01	GX-T2-S	GX-T2-M	GX-T3-M	GX-T4-M	GX-T4-L	GX-T5	GJ-T2-M	
GJ-T3-M	GJ-T4-M	HY-T2-S	HY-T3-M	HX-T2-S	HX-T2-M	HX-T3-M	HX-T4-M	



Die-casting Man

LED Street Light YASL-12

Installing Ways:
Both Horizontal and Vertical available and adjustable angle -30 °to 30 °

Material:
Die casting body
Ultra clear tempered glass and PC lens

YASL-12A-120

Product Specification

Product Code	YASL-12A-50	YASL-12A-120
Input Wattage (W)	30 ~ 120	100 ~ 200
Number of Lenses (PCS)	9	15
Product Size (mm)	603×416×143	711×522×145
Packing Size (mm)	595×495×155	700×570×165
Net Weight (kgs)	9.0	12.5
Gross Weight (kgs)	9.5	13.8
Quantity of Packing (PCS)	1	1
Installation Height (m)	3 ~ 8	5 ~ 10
Installation Pipe Diameter	Φ60mm	Φ60mm
Adjustable Angle	±30°Adjustable	
Materials	Housing:Aluminium, Cover:Toughened Glass, Screws:304 stainless screws	
Spray Colors	Double Grey, Sandy Black, Matt Silver	
Led Brand	LUMILEDS, OSRAM, CREE (Optional)	
Led Specifications	3030, 5050 (Optional)	
Optical Effect	130~150 lm/w (Optional)	
Color Temperature	2700K, 3000K, 3500K, 4000K, 5000K, 5700K, 6500K (Optional) (Reference: Energy Star)	
Color Rendering Index	Ra≥70, Ra≥80, Ra≥90 (Optional)	
Optics	TYPEI, TYPEII, TYPEIII, TYPEV, TYPEIV (Optional)	
Driver Brand	PHILIPS / OSRAM / TRIDONIC / MEAN WELL / SOSEN / INVENTRONICS	
Input Voltage	AC90~305V	
Security Level	ClassI / ClassII / Class1 / Class2 (Optional)	
Frequency Range	50/60Hz	
Power Factor	PF≥0.95	
Protection	Overcurrent / Short circuit / Over temperature	
Dimming Mode	Time control / 0-10V / Opticalcontrol / Microwaves / DALI (Optional)	
Lightning Protection	10KV / 15KV / 20KV (Optional)	
Working Conditions Range	-30 to 45°C, 20% to 90% RH	
Warranty	5/8 years (Optional)	
Protection Level	IP66, GlassIK08/09/10 (Optional), Lamp shell IK10	
Certifications	ENEC; CE; CB; IEC; RoHs; TUV; Lightning protection; LM-79; LM-80; IP66	



Die-casting Man

YASL-12A-50

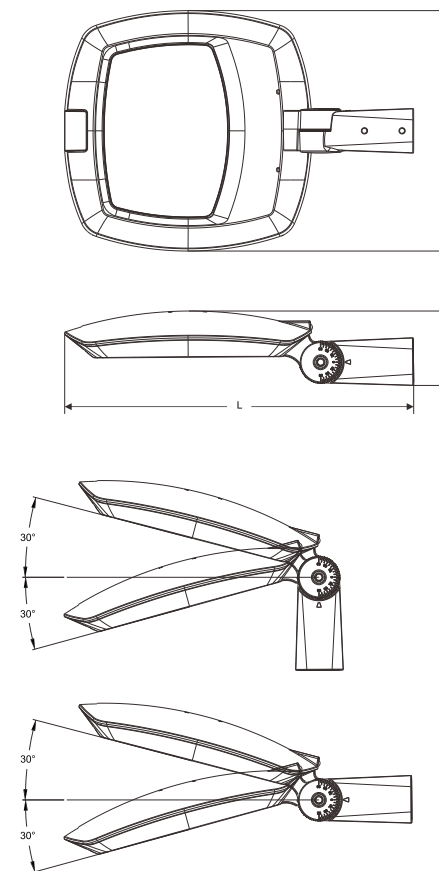
LED Street Light YASL-12

Product Description

This series is a high-performance street lighting available in two sizes. The luminaire is manufactured from high pressure die-casting aluminum. It shall have a led efficiency up to 170 lm/w and will be capable of producing up to 18000 luminaire lumens at 4000K finished in Grey or black as standard.

IP66 CE ROHS

Product Size (mm)



90 degree installation



Front



Back



Side

Light Distribution (For details, please refer to the summary table of light distribution curves on page 78,79,80.)

YASL-12	IES Type Light Distribution Cure							
	DH-T1	DH-T2-L	DH-T2-M	DH-T2-MB	DH-T3-M	DH-T3-MA	DH-T3-MB	DH-T4-M
DH-T5-M	DY-T2-M	DY-T3-M	GY-T1-M	GY-T2-S	GY-T2-M	GY-T3-M	GY-T2-M01	
GY-T3-M01	GX-T2-S	GX-T2-M	GX-T3-M	GX-T4-M	GX-T4-L	GX-T5	GJ-T2-M	
GJ-T3-M	GJ-T4-M	HY-T2-S	HY-T3-M	HX-T2-S	HX-T2-M	HX-T3-M	HX-T4-M	



Die-casting Man

LED Street Light YASL-11B

Installing Ways:
Both Horizontal and Vertical available
and adjustable angle -10 °to 10 °

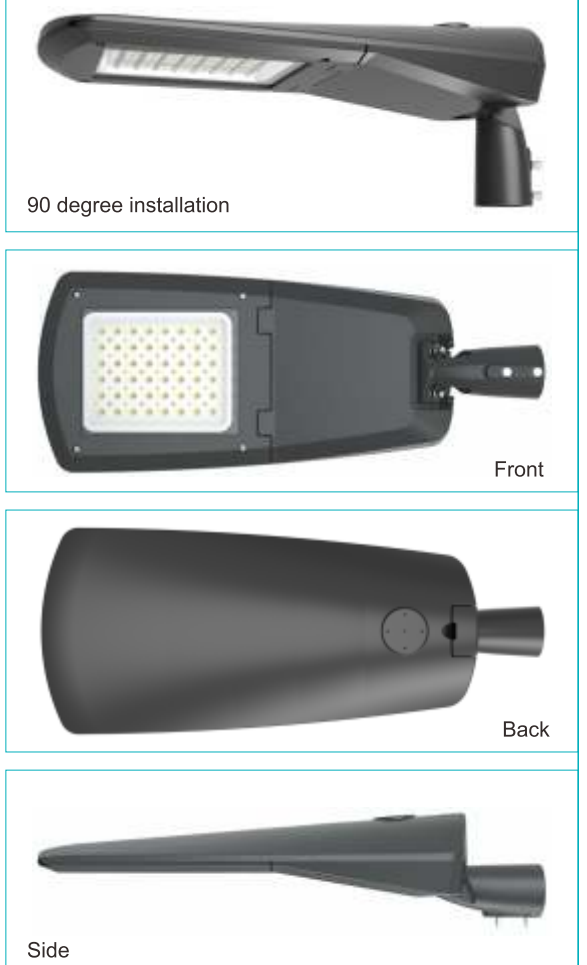
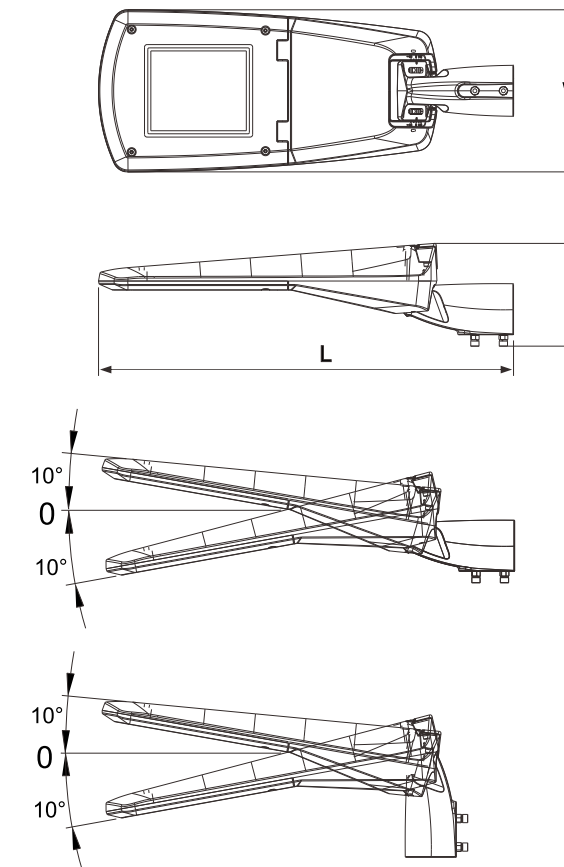
Material:
Die casting Aluminum body ,
Ultra clear tempered glass and PC lens

Product Specification

Product Code	YASL-11B-40	YASL-11B-50	YASL-11B-120
Input Wattage (W)	30 ~ 40	50 ~ 60	80 ~ 120
Number of Lenses (PCS)	4	6	12
Product Size (mm)	581×220×157	655×256×162	785×320×180
Packing Size (mm)	600×270×155	685×290×170	850×370×220
Net Weight (kgs)	3.5	5.3	8.8
Gross Weight (kgs)	3.9	5.8	9.3
Quantity of Packing (PCS)	1	1	1
Installation Height (m)	3 ~ 8	4 ~ 8	6 ~ 12
Installation Pipe Diameter	Φ60mm	Φ60mm	Φ60mm
Adjustable Angle	±10°Adjustable		
Materials	Housing:Aluminium, Cover:Toughened Glass, Screws:304 stainless screws		
Spray Colors	Double Grey, Sandy Black, Matt Silver		
Led Brand	LUMILEDS, OSRAM, CREE (Optional)		
Led Specifications	3030, 5050 (Optional)		
Optical Effect	130~170 lm/w (Optional)		
Color Temperature	2700K, 3000K, 3500K, 4000K, 5000K, 5700K, 6500K (Optional) (Reference: Energy Star)		
Color Rendering Index	Ra≥70, Ra≥80, Ra≥90 (Optional)		
Optics	TYPEI, TYPEII, TYPEIII, TYPEV, TYPEIV (Optional)		
Driver Brand	PHILIPS / OSRAM / TRIDONIC / MEAN WELL / SOSEN / INVENTRONICS		
Input Voltage	AC90~305V		
Security Level	ClassI / ClassII / Class1 / Class2 (Optional)		
Frequency Range	50/60Hz		
Power Factor	PF≥0.95		
Protection	Overcurrent / Short circuit / Over temperature		
Dimming Mode	Time control / 0-10V / Opticalcontrol / Microwaves / DALI (Optional)		
Lightning Protection	10KV / 15KV / 20KV (Optional)		
Working Conditions Range	-40 to 45°C, 20% to 90% RH		
Warranty	5/8 years (Optional)		
Protection Level	IP66, GlassIK08/09/10 (Optional), Lamp shell IK08		
Certifications	ENEC; CE; CB; IEC; RoHs; TUV; Lightning protection; LM-79; LM-80; IP66		

**LED Street Light YASL-11B****Product Description**

This series is a high-performance street lighting available in three sizes. The luminaire is manufactured from high pressure die-casting aluminum. It shall have a led efficiency up to 170 lm/w and will be capable of producing up to 15600 luminaire lumens at 4000K finished in Grey or black as standard.

IP66 CE ROHS**Product Size (mm)**

Light Distribution (For details, please refer to the summary table of light distribution curves on page 78,79,80.)

YASL-11B	IES Type Light Distribution Curve							
	DH-T1	DH-T2-L	DH-T2-M	DH-T2-MB	DH-T3-M	DH-T3-MA	DH-T3-MB	DH-T4-M
	DH-T5-M	DY-T2-M	DY-T3-M	GY-T1-M	GY-T2-S	GY-T2-M	GY-T3-M	GY-T2-M01
	GY-T3-M01	GX-T2-S	GX-T2-M	GX-T3-M	GX-T4-M	GX-T4-L	GX-T5	GJ-T2-M
	GJ-T3-M	GJ-T4-M	HY-T2-S	HY-T3-M	HX-T2-S	HX-T2-M	HX-T3-M	HX-T4-M



Die-casting Man



YASL-10-120

LED Street Light YASL-10

Installing Ways:
Horizontal only

Material:
Die casting Aluminum body
and glass lens

Product Specification

Product Code	YASL-10-40	YASL-10-50	YASL-10-100	YASL-10-110	YASL-10-120	YASL-10-150
Input Wattage (W)	30~50	50~80	80~100	100~120	120~150	180~200
Number of Lenses (PCS)	1	1	1	2	2	3
Product Size (mm)	395×146×94	480×174×93	600×235×100	600×235×100	846×367×151	846×367×151
Packing Size (mm)	440×160×230	520×190×245	635×250×250	635×250×250	745×330×175	745×330×175
Net Weight (kgs)	2.7	4.4	6.4	6.6	5.5	6.0
Gross Weight (kgs)	3.0	4.9	7.2	7.4	6.0	6.5
Quantity of Packing (PCS)	2	2	2	2	1	1
Installation Height (m)	3~6	5~7	6~8	8~10	10~12	10~14
Installation Pipe Diameter	Φ48mm	Φ48mm	Φ60mm	Φ60mm	Φ60mm	Φ60mm
Adjustable Angle	Not adjustable					
Materials	Housing:Aluminium, Cover:Toughened Glass, Screws:304 stainless screws					
Spray Colors	Double Grey, Sandy Black, Matt Silver					
Led Brand	LUMILEDS, OSRAM, CREE (Optional)					
Led Specifications	1919, 2424, 2828, 3535 COB (Optional)					
Optical Effect	110~140 lm/w (Optional)					
Color Temperature	2700K, 3000K, 3500K, 4000K, 5000K, 5700K, 6500K (Optional) (Reference: Energy Star)					
Color Rendering Index	Ra≥70, Ra≥80, Ra≥90 (Optional)					
Optics	KR107, KR107-1, KR107-4A, KR107H (Optional)					
Driver Brand	PHILIPS / OSRAM / TRIDONIC / MEAN WELL / SOSEN / INVENTRONICS					
Input Voltage	AC90~305V					
Security Level	ClassI / ClassII / Class1 / Class2 (Optional)					
Frequency Range	50/60Hz					
Power Factor	PF≥0.95					
Protection	Overcurrent / Short circuit / Over temperature					
Dimming Mode	Time control / 0-10V / Opticalcontrol / Microwaves / DALI (Optional)					
Lightning Protection	10KV / 15KV / 20KV (Optional)					
Working Conditions Range	-30 to 45°C, 20% to 90% RH					
Warranty	5/8 years (Optional)					
Protection Level	IP66, GlassIK08					
Certifications	ENEC; CE; CB; IEC; RoHs; TUV; Lightning protection; LM-79; LM-80; IP66					



YASL-10-50

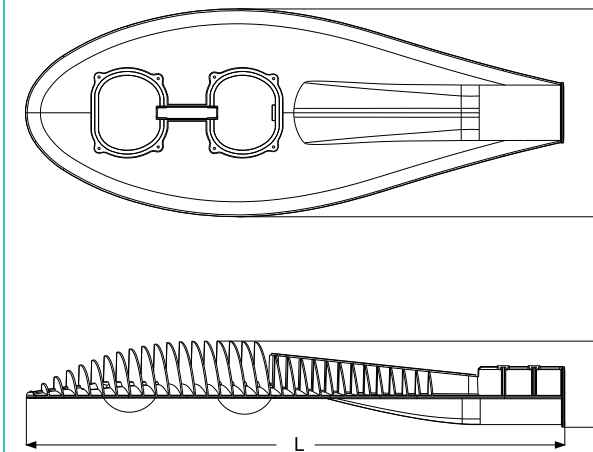
LED Street Light YASL-10

Product Description

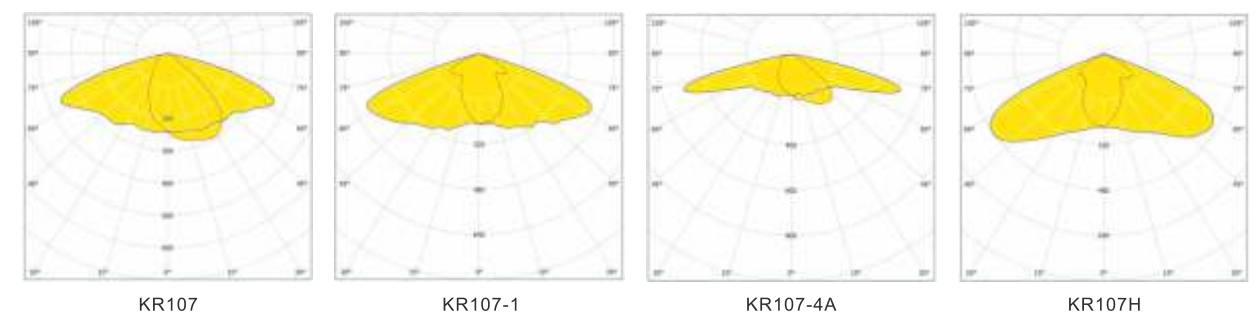
This series is a high-performance street lighting available in five sizes. The luminaire is manufactured from high pressure die-casting aluminum. It shall have a led efficacy up to 170 lm/w and will be capable of producing up to 21600 luminaire lumens at 4000K finished in Grey or black as standard.

IP66 CE ROHS

Product Size (mm)



Photometric Data





YASL-09-150

LED Street Light YASL-09

Installing Ways:

Both Horizontal and Vertical available and adjustable angle -10 °to 10 °

Material:

Die casting Aluminum body ,
Ultra clear tempered glass and PC lens .

Product Specification

Product Code	YASL-09-30	YASL-09-50	YASL-09-100	YASL-09-150
Input Wattage (W)	30 ~ 60	50 ~ 100	100 ~ 200	200 ~ 300
Number of Lenses (PCS)	4	6	12	24
Product Size (mm)	455×180×108	530×230×120	622×292×126	846×367×151
Packing Size (mm)	490×250×210	560×250×210	675×315×155	895×400×175
Net Weight (kgs)	3.9	6.5	6.5	12.8
Gross Weight (kgs)	4.1	6.9	7.0	13.2
Quantity of Packing (PCS)	2	2	1	1
Installation Height (m)	3~6	4~8	8~12	10~14
Installation Pipe Diameter	Φ48/60mm	Φ48/60mm	Φ48/60mm	Φ60/76mm
Adjustable Angle	±10° Adjustable			
Materials	Housing:Aluminium, Cover:Toughened Glass, Screws:304 stainless screws			
Spray Colors	Double Grey, Sandy Black, Matt Silver			
Led Brand	LUMILEDS, OSRAM, CREE (Optional)			
Led Specifications	3030, 5050 (Optional)			
Optical Effect	130~180 lm/w (Optional)			
Color Temperature	2700K, 3000K, 3500K, 4000K, 5000K, 5700K, 6500K (Optional) (Reference: Energy Star)			
Color Rendering Index	Ra≥70, Ra≥80, Ra≥90 (Optional)			
Optics	TYPEI, TYPEII, TYPEIII, TYPEV, TYPEIV (Optional)			
Driver Brand	PHILIPS / OSRAM / TRIDONIC / MEAN WELL / SOSEN / INVENTRONICS			
Input Voltage	AC90~305V			
Security Level	ClassI / ClassII / Class1 / Class2 (Optional)			
Frequency Range	50/60Hz			
Power Factor	PF≥0.95			
Protection	Overcurrent / Short circuit / Over temperature			
Dimming Mode	Time control / 0-10V / Opticalcontrol / Microwaves / DALI (Optional)			
Lightning Protection	10KV / 15KV / 20KV (Optional)			
Working Conditions Range	-30 to 45°C, 20% to 90% RH			
Warranty	5/8 years (Optional)			
Protection Level	IP66, GlassIK08/09/10 (Optional), Lamp shell IK10			
Certifications	ENEC; CE; CB; IEC; RoHs; TUV; Lightning protection; LM-79; LM-80; IP66			



YASL-09-30

LED Street Light YASL-09

Product Description

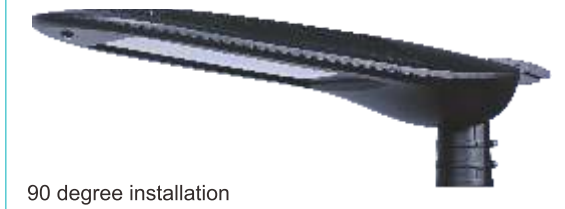
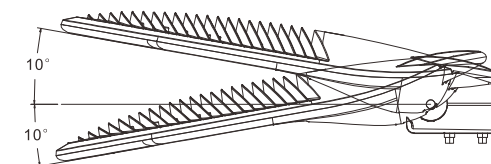
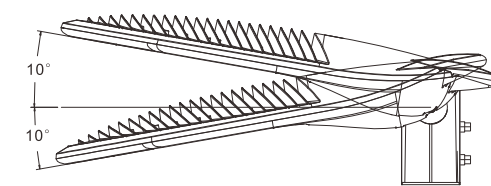
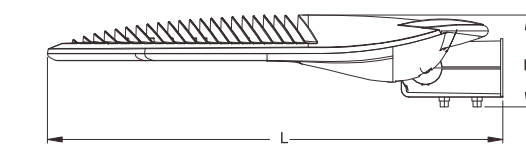
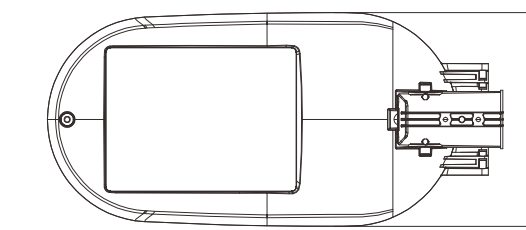
This series is a high-performance street lighting available in four sizes.

The luminaire is manufactured from high pressure die-casting aluminum.

It shall have a led efficacy up to 170 lm/w and will be capable of producing up to 21600 luminaire lumens at 4000K finished in Grey or black as standard

IP66 CE ROHS

Product Size (mm)



90 degree installation



Front



Back



Side

Light Distribution (For details, please refer to the summary table of light distribution curves on page 78,79,80.)

YASL-09	IES Type Light Distribution Cure							
	DH-T1	DH-T2-L	DH-T2-M	DH-T2-MB	DH-T3-M	DH-T3-MA	DH-T3-MB	DH-T4-M
DH-T5-M	DY-T2-M	DY-T3-M	GY-T1-M	GY-T2-S	GY-T2-M	GY-T3-M	GY-T2-M01	
GY-T3-M01	GX-T2-S	GX-T2-M	GX-T3-M	GX-T4-M	GX-T4-L	GX-T5	GJ-T2-M	
GJ-T3-M	GJ-T4-M	HY-T2-S	HY-T3-M	HX-T2-S	HX-T2-M	HX-T3-M	HX-T4-M	



YASL-08-180

LED Street Light YASL-08

Installing Ways:
Horizontal only

Material:
Die casting Aluminum body
and glass lens

Product Specification

Product Code	YASL-08-30	YASL-08-50	YASL-08-80	YASL-08-120	YASL-08-180
Input Wattage (W)	30	40 ~ 60	60 ~ 100	100 ~ 150	150 ~ 200
Number of Lenses (PCS)	1(COB)	1(COB)	1(COB)	2(COB)	3(COB)
Product Size (mm)	400×171×58	500×214×66	621×261×83	720×280×95	881×300×101
Packing Size (mm)	440×195×220	545×230×115	665×300×140	765×300×140	905×355×150
Net Weight (kgs)	2.0	2.7	3.7	4.8	6.9
Gross Weight (kgs)	2.4	3.0	4.0	5.2	7.6
Quantity of Packing (PCS)	2	1	1	1	1
Installation Height (m)	3 ~ 6	4 ~ 8	6 ~ 10	8 ~ 12	10 ~ 14
Installation Pipe Diameter	Φ40mm	Φ50mm	Φ60mm	Φ60mm	Φ60/76mm
Adjustable Angle	Not adjustable				
Materials	Housing:Aluminium, Cover:Toughened Glass, Screws:304 stainless screws				
Spray Colors	Double Grey, Sandy Black, Matt Silver				
Led Brand	LUMILEDS, OSRAM, CREE (Optional)				
Led Specifications	COB				
Optical Effect	110~140 lm/w (Optional)				
Color Temperature	2700K, 3000K, 3500K, 4000K, 5000K, 5700K, 6500K (Optional) (Reference: Energy Star)				
Color Rendering Index	Ra≥70, Ra≥80, Ra≥90 (Optional)				
Optics	See Photometric Data				
Driver Brand	PHILIPS / OSRAM / TRIDONIC / MEAN WELL / SOSEN / INVENTRONICS				
Input Voltage	AC90~305V				
Security Level	ClassI / ClassII / Class1 / Class2 (Optional)				
Frequency Range	50/60Hz				
Power Factor	PF≥0.95				
Protection	Overcurrent / Short circuit / Over temperature				
Dimming Mode	Time control / 0-10V / Opticalcontrol / Microwaves / DALI (Optional)				
Lightning Protection	10KV / 15KV / 20KV (Optional)				
Working Conditions Range	-40 to 45°C, 20% to 90% RH				
Warranty	3/5 years (Optional)				
Protection Level	IP66, GlassIK08/09/10 (Optional), Lamp shell IK08				
Certifications	ENEC; CE; CB; IEC; RoHs; TUV; Lightning protection; LM-79; LM-80; IP66				



YASL-08-120

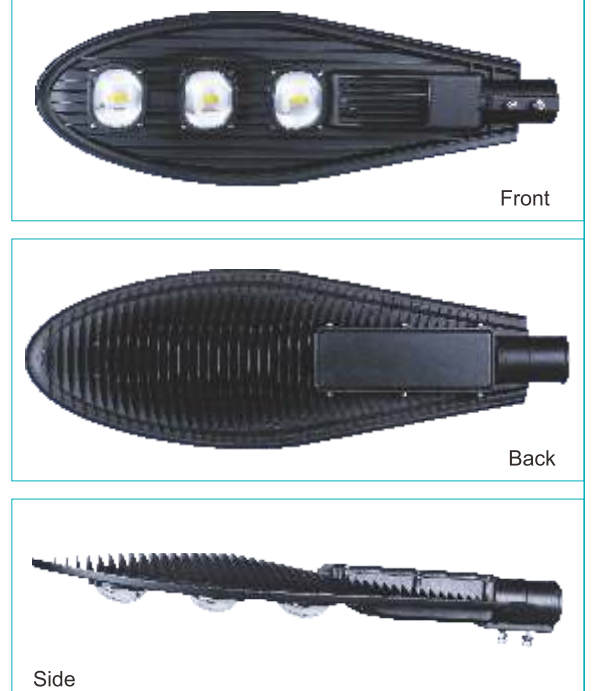
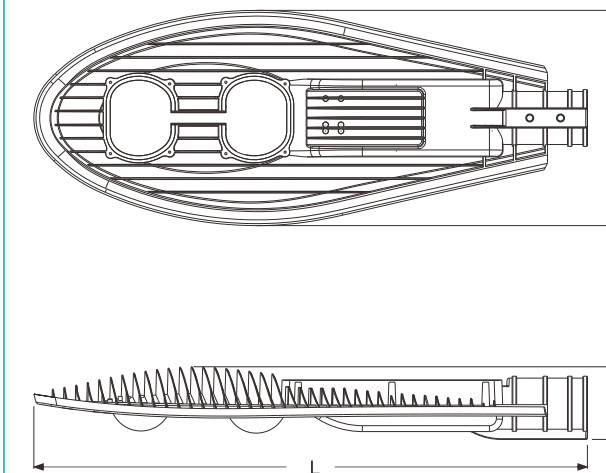
LED Street Light YASL-08

Product Description

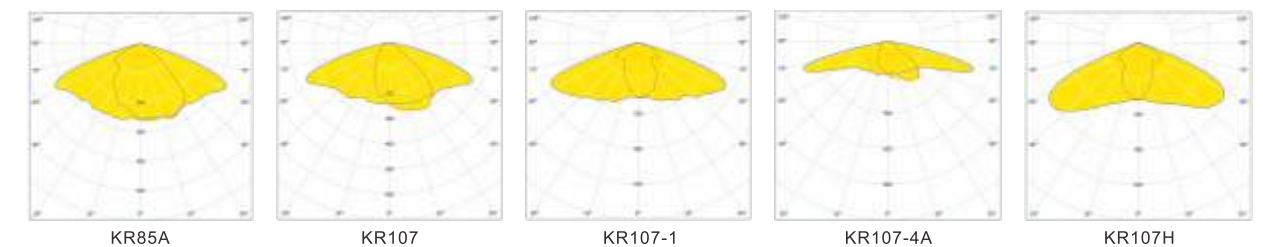
This series is a high-performance street lighting available in five sizes. The luminaire is manufactured from high pressure die-casting aluminum. It shall have a led efficacy up to 170 lm/w and will be capable of producing up to 21600 luminaire lumens at 4000K finished in Grey or black as standard.

IP66 CE ROHS

Product Size (mm)



Photometric Data





YASL-07-50

LED Street Light YASL-07

Installing Ways:
Both Horizontal and Vertical available
and adjustable angle -10 °to 10 °

Material: Die casting Aluminum body,
and PC lens.

Product Specification

Product Code	YASL-07-50	YASL-07-100
Input Wattage (W)	30 ~ 50	60 ~ 100
Number of Lenses (PCS)	2 module	4 module
Product Size (mm)	646×304×140	864×374×177
Packing Size (mm)	700×350×160	905×415×190
Net Weight (kgs)	4.5	7.0
Gross Weight (kgs)	5.0	7.5
Quantity of Packing (PCS)	1	1
Installation Height (m)	3~6	4~8
Installation Pipe Diameter	Φ48/60mm	Φ60mm
Adjustable Angle	±10°Adjustable	
Materials	Housing:Aluminium, Cover:Toughened Glass, Screws:304 stainless screws	
Spray Colors	Double Grey, Sandy Black, Matt Silver	
Led Brand	LUMILEDS, OSRAM, CREE (Optional)	
Led Specifications	3030 (Optional)	
Optical Effect	130~150 lm/w (Optional)	
Color Temperature	2700K, 3000K, 3500K, 4000K, 5000K, 5700K, 6500K (Optional) (Reference: Energy Star)	
Color Rendering Index	Ra≥70, Ra≥80, Ra≥90 (Optional)	
Optics	See Photometric Data	
Driver Brand	PHILIPS / OSRAM / TRIDONIC / MEAN WELL / SOSEN / INVENTRONICS	
Input Voltage	AC90~305V	
Security Level	ClassI / ClassII / Class1 / Class2 (Optional)	
Frequency Range	50/60Hz	
Power Factor	PF≥0.95	
Protection	Overcurrent / Short circuit / Over temperature	
Dimming Mode	Time control / 0-10V / Opticalcontrol / Microwaves / DALI (Optional)	
Lightning Protection	10KV / 15KV / 20KV (Optional)	
Working Conditions Range	-40 to 45°C, 20% to 90% RH	
Warranty	5/8 years (Optional)	
Protection Level	IP66, GlassIK08/09/10 (Optional), Lamp shell IK08	
Certifications	ENEC; CE; CB; IEC; RoHs; TUV; Lightning protection; LM-79; LM-80; IP66	



YASL-07-50

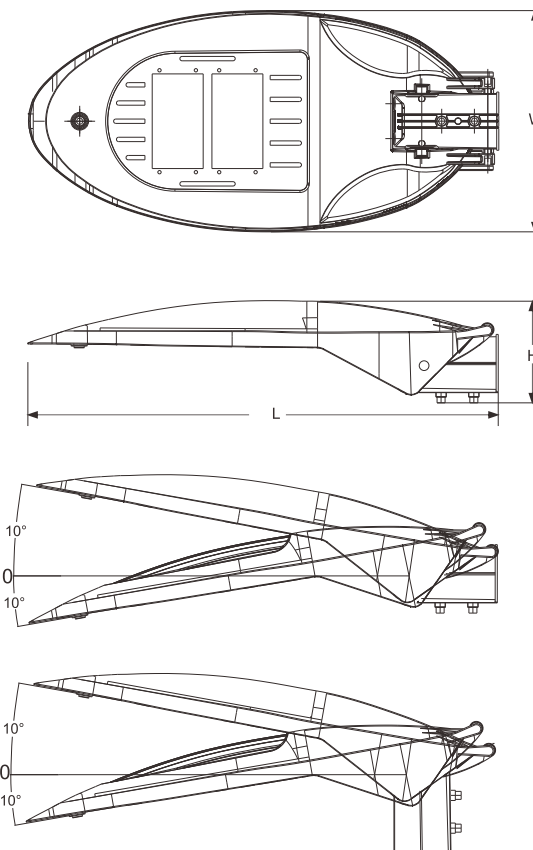
LED Street Light YASL-07

Product Description

This series is a high-performance street lighting available in two sizes.
The luminaire is manufactured from high pressure die-casting aluminum.
It shall have a led efficacy up to 120 lm/w and will be capable of producing
up to 11000 luminaire lumens at 4000K finished in Grey or black as standard.

IP66 CE ROHS

Product Size (mm)



90 degree installation



Front

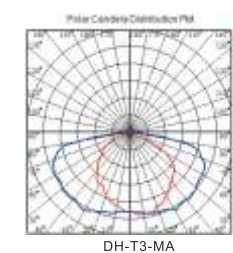


Back

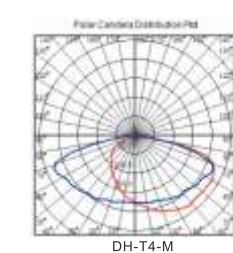


Side

Photometric Data



DH-T3-MA



DH-T4-M



YASL-06-80

LED Street Light YASL-06

Installing Ways:
Both Horizontal and Vertical available
and adjustable angle -10 °to 10 °

Material: Die casting Aluminum body,
Ultra clear tempered glass and PC lens.

Product Specification

Product Code	YASL-06-40	YASL-06-80
Input Wattage (W)	30 ~ 50	60 ~ 100
Number of Lenses (PCS)	16(A)	30(A)
Product Size (mm)	518×238×118	646×304×140
Packing Size (mm)	560×265×145	700×350×160
Net Weight (kgs)	3.7	6.5
Gross Weight (kgs)	4.0	7.0
Quantity of Packing (PCS)	1	1
Installation Height (m)	3 ~ 8	6 ~ 12
Installation Pipe Diameter	Φ48/60mm	Φ60mm
Adjustable Angle	±10°Adjustable	
Materials	Housing:Aluminium, Cover:Toughened Glass, Screws:304 stainless screws	
Spray Colors	Double Grey, Sandy Black, Matt Silver	
Led Brand	LUMILEDS, OSRAM, CREE (Optional)	
Led Specifications	3030 (Optional)	
Optical Effect	130~150 lm/w (Optional)	
Color Temperature	2700K, 3000K, 3500K, 4000K, 5000K, 5700K, 6500K (Optional) (Reference: Energy Star)	
Color Rendering Index	Ra≥70, Ra≥80, Ra≥90 (Optional)	
Optics	See Photometric Data	
Driver Brand	PHILIPS / OSRAM / TRIDONIC / MEAN WELL / SOSEN / INVENTRONICS	
Input Voltage	AC90~305V	
Security Level	ClassI / ClassII / Class1 / Class2 (Optional)	
Frequency Range	50/60Hz	
Power Factor	PF≥0.95	
Protection	Overcurrent / Short circuit / Over temperature	
Dimming Mode	Time control / 0-10V / Opticalcontrol / Microwaves / DALI (Optional)	
Lightning Protection	10KV / 15KV / 20KV (Optional)	
Working Conditions Range	-40 to 45°C, 20% to 90% RH	
Warranty	5/8 years (Optional)	
Protection Level	IP66, GlassIK08/09/10 (Optional), Lamp shell IK08	
Certifications	ENEC; CE; CB; IEC; RoHs; TUV; Lightning protection; LM-79; LM-80; IP66	



YASL-06-80

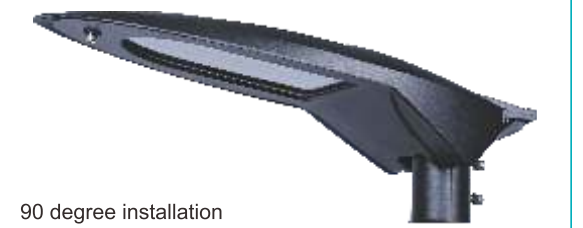
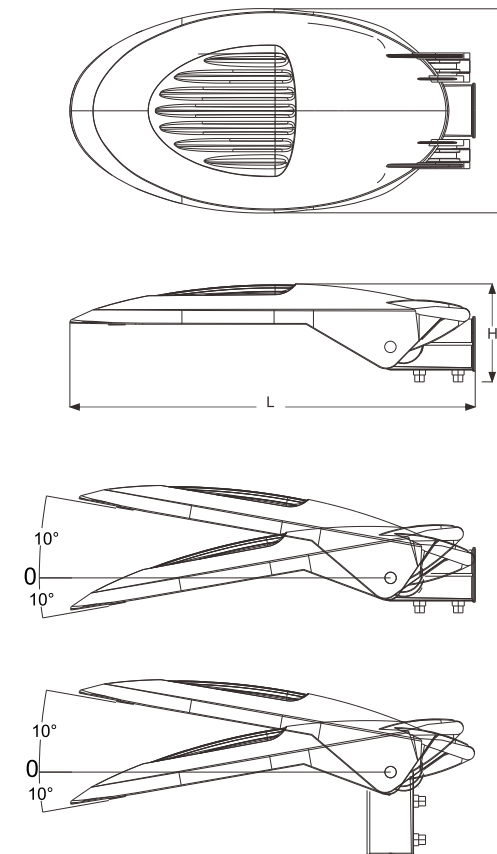
LED Street Light YASL-06

Product Description

This series is a high-performance street lighting available in two sizes. The luminaire is manufactured from high pressure die-casting aluminum. It shall have a led efficacy up to 170 lm/w and will be capable of producing up to 12000 luminaire lumens at 4000K finished in Grey or black as standard.

IP66 CE ROHS

Product Size (mm)



90 degree installation



Front

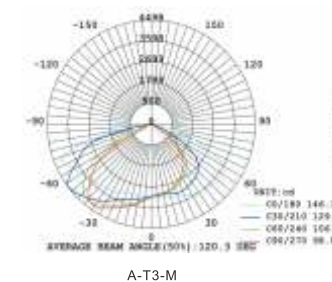


Back



Side

Photometric Data





YASL-04-180

LED Street Light YASL-04

Installing Ways:
Horizontal only.

Material: Die casting Aluminum body,
Ultra clear tempered glass and glass lens.

Product Specification

Product Code	YASL-04-80	YASL-04-120	YASL-04-180
Input Wattage (W)	30 ~ 100	100 ~ 150	150 ~ 200
Number of Lenses (PCS)	1	2	3
Product Size (mm)	650×237×121	800×291×131	950×347×155
Packing Size (mm)	705×290×160	860×330×160	1005×400×185
Net Weight (kgs)	5.0	7.5	11.5
Gross Weight (kgs)	5.4	8.0	12.5
Quantity of Packing (PCS)	1	1	1
Installation Height (m)	3 ~ 8	8 ~ 12	10 ~ 14
Installation Pipe Diameter	Φ60mm	Φ60mm	Φ60mm
Adjustable Angle	Not adjustable		
Materials	Housing:Aluminium, Cover:Toughened Glass, Screws:304 stainless screws		
Spray Colors	Double Grey, Sandy Black, Matt Silver		
Led Brand	LUMILEDS, OSRAM, CREE (Optional)		
Led Specifications	1919, 2424, 2828, 3535 COB (Optional)		
Optical Effect	110~140 lm/w (Optional)		
Color Temperature	2700K, 3000K, 3500K, 4000K, 5000K, 5700K, 6500K (Optional) (Reference: Energy Star)		
Color Rendering Index	Ra≥70, Ra≥80, Ra≥90 (Optional)		
Optics	130°, 150° (Optional)		
Driver Brand	PHILIPS / OSRAM / TRIDONIC / MEAN WELL / SOSEN / INVENTRONICS		
Input Voltage	AC90~305V		
Security Level	ClassI / ClassII / Class1 / Class2 (Optional)		
Frequency Range	50/60Hz		
Power Factor	PF≥0.95		
Protection	Overcurrent / Short circuit / Over temperature		
Dimming Mode	Time control / 0-10V / Opticalcontrol / Microwaves / DALI (Optional)		
Lightning Protection	10KV / 15KV / 20KV (Optional)		
Working Conditions Range	-30 to 45°C, 20% to 90% RH		
Warranty	5/8 years (Optional)		
Protection Level	IP66, GlassIK08		
Certifications	ENEC; CE; CB; IEC; RoHs; TUV; Lightning protection; LM-79; LM-80; IP66		



YASL-04-120



YASL-04-80

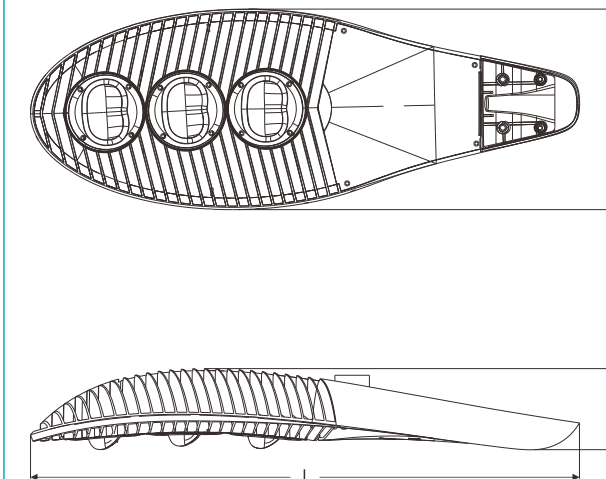
LED Street Light YASL-04

Product Description

This series is a high-performance street lighting available in three sizes. The luminaire is manufactured from high pressure die-casting aluminum. It shall have a led efficacy up to 120 lm/w and will be capable of producing up to 18000 luminaire lumens at 4000K finished in Grey or black as standard.

IP66 CE ROHS

Product Size (mm)



Front

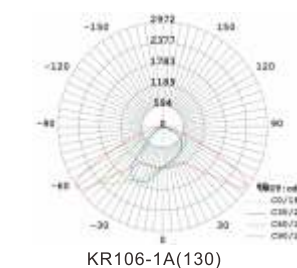


Back

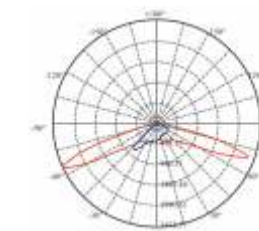


Side

Photometric Data



KR106-1A(130)



KR106-1B(150)



YASL-03-200

LED Street Light YASL-03

Installing Ways:
Both Horizontal and Vertical available and adjustable angle 0° to 15°

Material:
Die casting Aluminum body,
Ultra clear tempered glass and PC lens.

Product Specification

Product Code	YASL-03-40	YASL-03-50	YASL-03-100	YASL-03-200
Input Wattage (W)	30 ~ 40	50 ~ 80	80 ~ 120	150 ~ 240
Number of Lenses (PCS)	3	8	12	20
Product Size (mm)	500×210×151	618×260×187	684×300×185	850×365×198
Packing Size (mm)	570×240×255	680×295×150	750×355×165	915×415×185
Net Weight (kgs)	3.7	5.5	7.5	11.8
Gross Weight (kgs)	4.0	6.0	8.0	12.5
Quantity of Packing (PCS)	2	1	1	1
Installation Height (m)	3~6	4~8	6~12	8~14
Installation Pipe Diameter	Φ48mm	Φ60mm	Φ60mm	Φ60mm
Adjustable Angle	0-15° Adjustable			
Materials	Housing:Aluminium, Cover:Toughened Glass, Screws:304 stainless screws			
Spray Colors	Double Grey, Sandy Black, Matt Silver			
Led Brand	LUMILEDS, OSRAM, CREE (Optional)			
Led Specifications	3030, 5050 (Optional)			
Optical Effect	130~190 lm/w (Optional)			
Color Temperature	2700K, 3000K, 3500K, 4000K, 5000K, 5700K, 6500K (Optional) (Reference: Energy Star)			
Color Rendering Index	Ra≥70, Ra≥80, Ra≥90 (Optional)			
Optics	TYPEI, TYPEII, TYPEIII, TYPEV, TYPEIV (Optional)			
Driver Brand	PHILIPS / OSRAM / TRIDONIC / MEAN WELL / SOSEN / INVENTRONICS			
Input Voltage	AC90~305V			
Security Level	ClassI / ClassII / Class1 / Class2 (Optional)			
Frequency Range	50/60Hz			
Power Factor	PF≥0.95			
Protection	Overcurrent / Short circuit / Over temperature			
Dimming Mode	Time control / 0-10V / Opticalcontrol / Microwaves / DALI (Optional)			
Lightning Protection	10KV / 15KV / 20KV (Optional)			
Working Conditions Range	-40 to 45°C, 20% to 90% RH			
Warranty	5/8 years (Optional)			
Protection Level	IP66, GlassIK08/09/10 (Optional), Lamp shell IK08			
Certifications	ENEC; CE; CB; IEC; RoHs; TUV; Lightning protection; LM-79; LM-80; IP66			



YASL-03-200

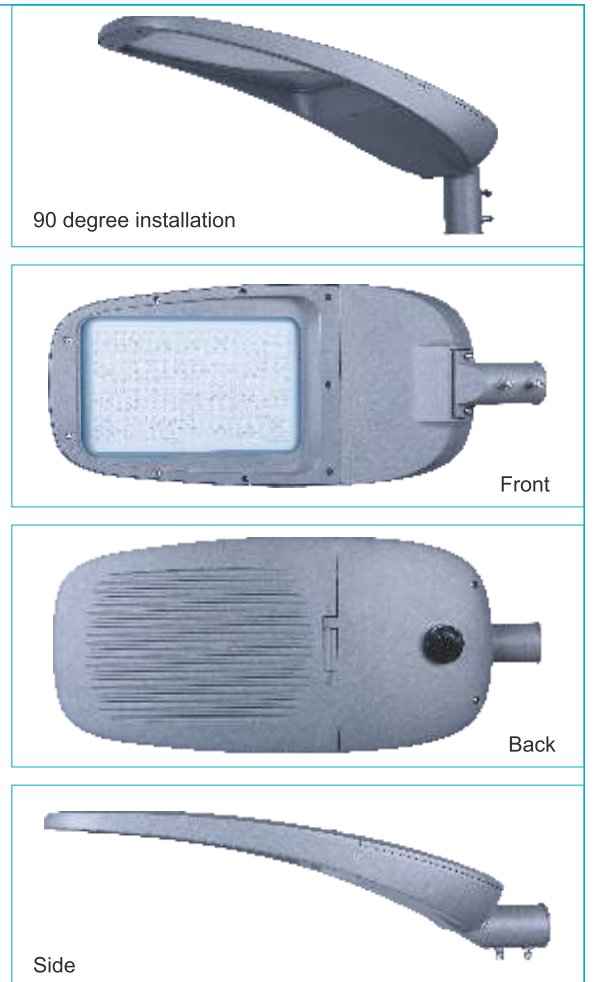
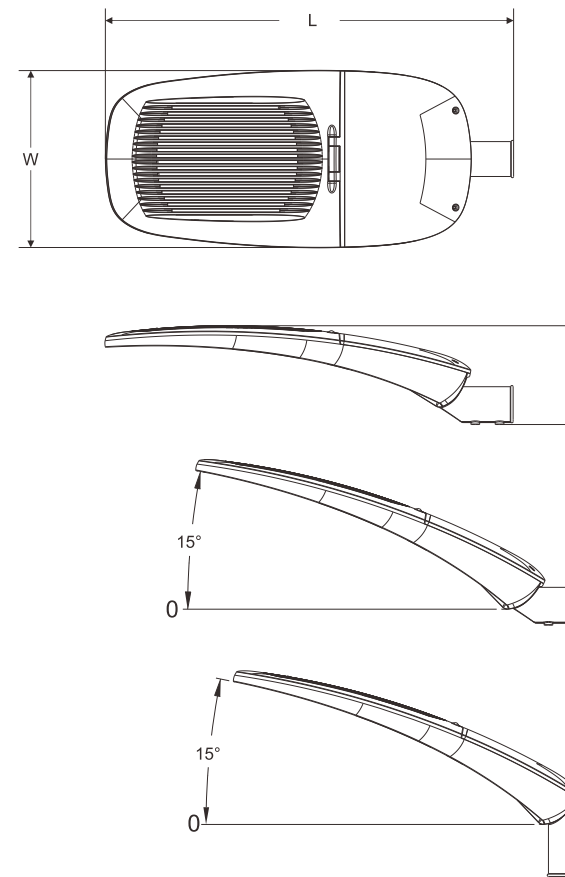
LED Street Light YASL-03

Product Description

This series is a high-performance street lighting available in four sizes. The luminaire is manufactured from high pressure die-casting aluminum. It shall have a led efficacy up to 170 lm/w and will be capable of producing up to 24000 luminaire lumens at 4000K finished in Grey or black as standard.

IP66 CE ROHS

Product Size (mm)



Light Distribution (For details, please refer to the summary table of light distribution curves on page 78,79,80.)

YASL-03	IES Type Light Distribution Cure							
	DH-T1	DH-T2-L	DH-T2-M	DH-T2-MB	DH-T3-M	DH-T3-MA	DH-T3-MB	DH-T4-M
DH-T5-M	DY-T2-M	DY-T3-M	GY-T1-M	GY-T2-S	GY-T2-M	GY-T3-M	GY-T2-M01	
GY-T3-M01	GX-T2-S	GX-T2-M	GX-T3-M	GX-T4-M	GX-T4-L	GX-T5	GJ-T2-M	
GJ-T3-M	GJ-T4-M	HY-T2-S	HY-T3-M	HX-T2-S	HX-T2-M	HX-T3-M	HX-T4-M	



LED Garden Light YAUB-10

Material:
Die casting aluminium body and bracket,
ultra tempered glass, PET white reflector
and PC lens

LED Garden Light YAUB-10

Product Description

Round unique single arm design. Nema and Zhaga position available on request. Wattage available from 30W to 120W.



Front

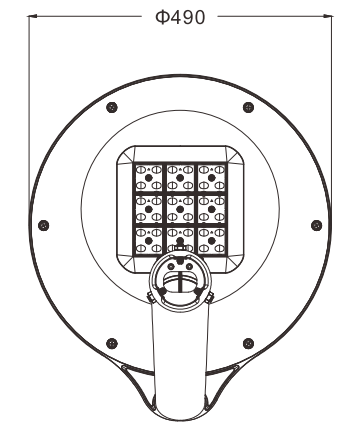
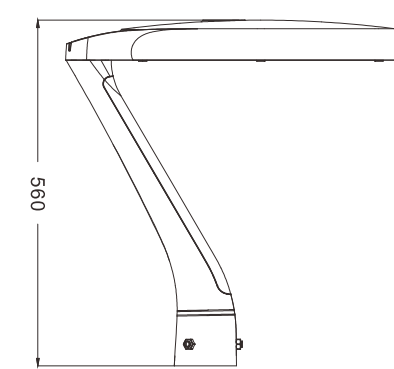
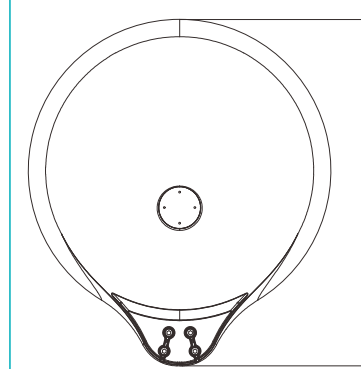


Back

Product Specification

Product Code	YAUB-10-90
Input Wattage (W)	30 ~ 120
Number of Lenses (PCS)	9
Product Size (mm)	561×490×560
Packing Size (mm)	785×550×140
Net Weight (kgs)	7.3
Gross Weight (kgs)	8.5
Quantity of Packing (pcs)	1
Installation Height (m)	4 ~ 8
Installation Pipe Diameter	Φ76mm
Adjustable Angle	0° Adjustable
Materials	Housing:Aluminium, Cover:Toughened Glass, Screws:304 stainless screws
Spray Colors	Double Grey, Sandy Black, Matt Silver
Led Brand	LUMILEDS, OSRAM, CREE (Optional)
Led Specifications	3030, 5050 (Optional)
Optical Effect	130~170 lm/w (Optional)
Color Temperature	2700K, 3000K, 3500K, 4000K, 5000K, 5700K, 6500K (Optional) (Reference: Energy Star)
Color Rendering Index	Ra≥70, Ra≥80, Ra≥90 (Optional)
Optics	TYPEI, TYPEII, TYPEIII, TYPEV, TYPEIV (Optional)
Driver Brand	PHILIPS / OSRAM / TRIDONIC / MEAN WELL / SOSEN / INVENTRONICS
Input Voltage	AC90~305V
Security Level	ClassI / ClassII / Class1 / Class2 (Optional)
Frequency Range	50/60Hz
Power Factor	PF≥0.95
Protection	Overcurrent / Short circuit / Over temperature
Dimming Mode	Time control / 0-10V / Opticalcontrol / Microwaves / DALI (Optional)
Lightning Protection	10KV / 15KV / 20KV (Optional)
Working Conditions Range	-40 to 45°C, 20% to 90% RH
Warranty	5/8 years (Optional)
Protection Level	IP66, GlassIK08/09/10 (Optional), Lamp shell IK08
Certifications	ENEC; CE; CB; IEC; RoHs; TUV; Lightning protection; LM-79; LM-80; IP66

Product Size (mm)



Light Distribution (For details, please refer to the summary table of light distribution curves on page 78,79,80.)

YAUB-10-90	IES Type Light Distribution Curve				
	DH-T1	DH-T2-L	DH-T2-M	DH-T2-MB	DH-T3-M
	DH-T3-MA	DH-T3-MB	DH-T4-M	DH-T5-M	DY-T2-M
	DY-T3-M	DH-30°	DH-55°	DH-90°	DH-120°



YAUB-09-90A



Die-casting Man

LED Garden Light YAUB-09

Installing Ways:

UB-09-90A: Horizontal only.

UB-09-90B: Suspension installation

Material: Die casting Aluminum body,
Ultra clear tempered glass.

Product Specification

Product Code	YAUB-09-90A	YAUB-09-90B
Input Wattage (W)	30 ~ 100	30 ~ 100
Number of Lenses (PCS)	9	9
Product Size (mm)	545×465×715	465×465×197
Packing Size (mm)	550×520×245	550×520×245
Net Weight (kgs)	5.0	6.0
Gross Weight (kgs)	5.5	6.5
Quantity of Packing (pcs)	1	1
Installation Height (m)	4 ~ 8	4 ~ 8
Installation Pipe Diameter	Φ76mm	Φ76mm
Adjustable Angle	0° Adjustable	
Materials	Housing:Aluminium, Cover:Toughened Glass, Screws:304 stainless screws	
Spray Colors	Double Grey, Sandy Black, Matt Silver	
Led Brand	LUMILEDS, OSRAM, CREE (Optional)	
Led Specifications	3030, 5050 (Optional)	
Optical Effect	130~170 lm/w (Optional)	
Color Temperature	2700K, 3000K, 3500K, 4000K, 5000K, 5700K, 6500K (Optional) (Reference: Energy Star)	
Color Rendering Index	Ra≥70, Ra≥80, Ra≥90 (Optional)	
Optics	120° TYPEI, TYPEII, TYPEIII, TYPEV, TYPEIV (Optional)	
Driver Brand	PHILIPS / OSRAM / TRIDONIC / MEAN WELL / SOSEN / INVENTRONICS	
Input Voltage	AC90~305V	
Security Level	ClassI / ClassII / Class1 / Class2 (Optional)	
Frequency Range	50/60Hz	
Power Factor	PF≥0.95	
Protection	Overcurrent / Short circuit / Over temperature	
Dimming Mode	Time control / 0-10V / Opticalcontrol / Microwaves / DALI (Optional)	
Lightning Protection	10KV / 15KV / 20KV (Optional)	
Working Conditions Range	-40 to 45°C, 20% to 90% RH	
Warranty	5/8 years (Optional)	
Protection Level	IP66, GlassIK08/09/10 (Optional), Lamp shell IK08	
Certifications	ENEC; CE; CB; IEC; RoHs; TUV; Lightning protection; LM-79; LM-80; IP66	



Die-casting Man

LED Garden Light YAUB-09

Product Description

This series is a high-performance garden lighting. It is available in two installation options. The luminaire is manufactured from high pressure die-casting aluminum.

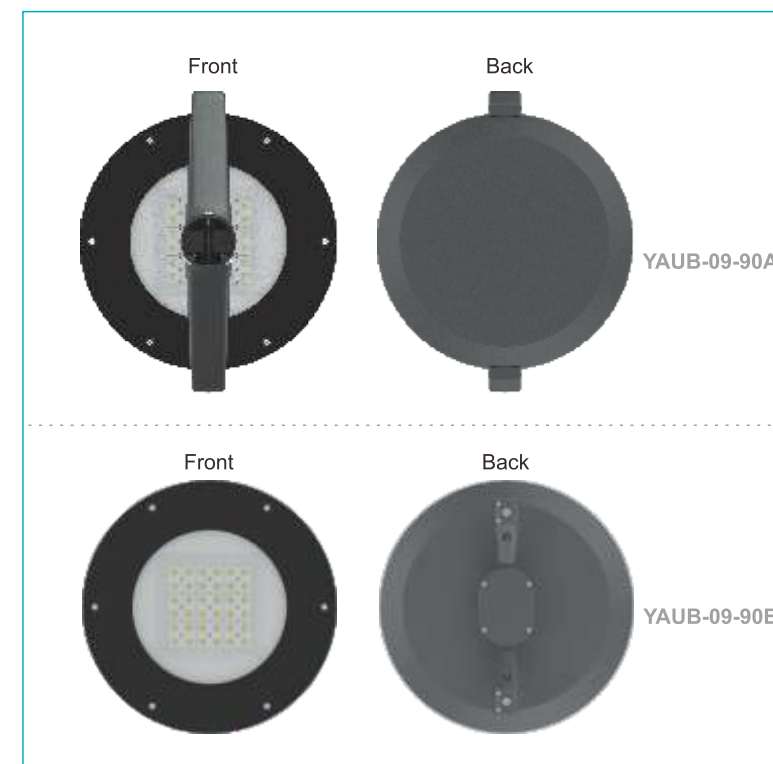
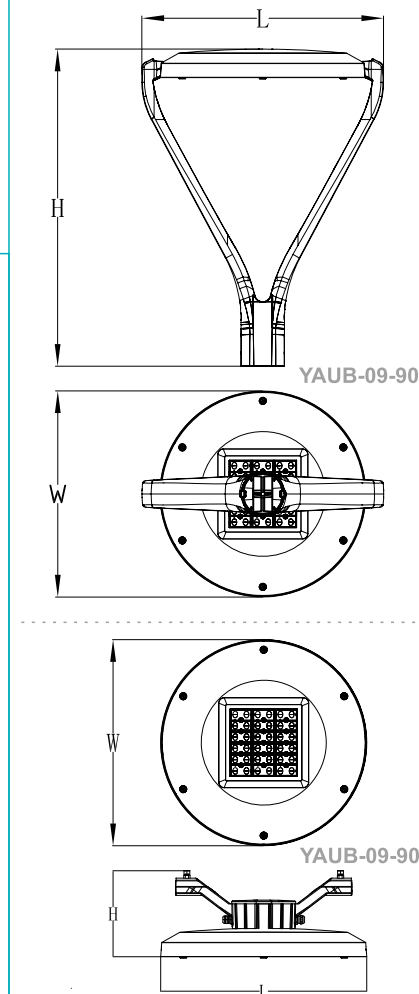
IP66 CE ROHS



YAUB-09-90B

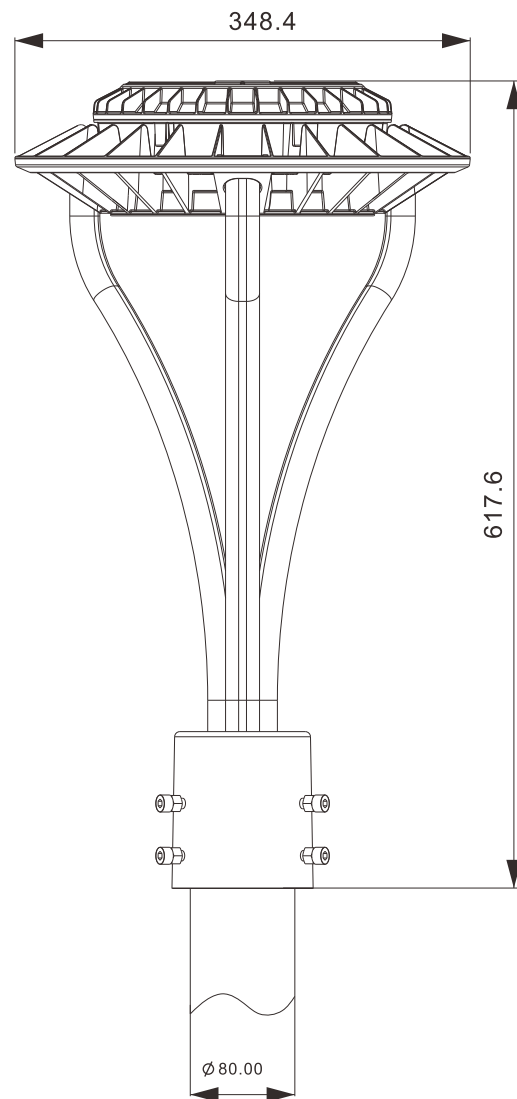


Product Size (mm)



Light Distribution (For details, please refer to the summary table of light distribution curves on page 78,79,80.)

YAUB-09-90A(B)	IES Type Light Distribution Curve				
	DH-T1	DH-T2-L	DH-T2-M	DH-T2-MB	DH-T3-M
DH-T3-MA	DH-T3-MB	DH-T4-M	DH-T5-M	DY-T2-M	
DY-T3-M	DH-30°	DH-55°	DH-90°	DH-120°	



LED Garden Light YAUB-04

Installing Ways:
Horizontal only.

Material:
Die casting body,
Ultra clear tempered glass.

Product Description

This 30-80W LED garden light die-casting body waterproof lighting fixtures. 2019 new design with CE IP66 5years warranty, it was made up with die-casting body+ three-arms+ die-casting aluminum heat sink on the top.

IP66 CE ROHS



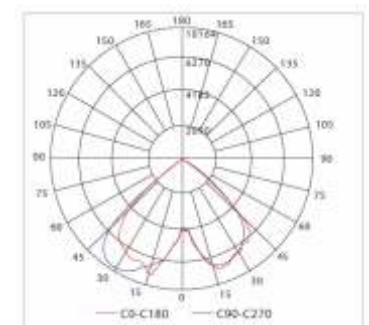
LED Garden Light YAUB-04



Product Specification

Product Code	YAUB-04-80
Input Wattage	80W
Color Temperature	3000-6500K
Luminous Flux	10000-12000 lm
Input Voltage	AC90-305V
Frequency Range	50/60Hz
Power Factor	PF≥0.95
Color rendering index	Ra≥70-80
Temperature of Working Condition	-40-50°C
Humidity of Working Condition	20%-90%RH
LED Lifetime	50000h
Protection Grade	IP66
Installation Pipe Diameter	Φ80-105mm
Installation Height	3-6m
Net Weight	4.0kgs
Gross Weight	4.2kgs
Product Size(mm)	Φ348×615
Packing Size(mm)	430×450×180

Photometric Data





LED Garden Light YAUB-03A

Installing Ways:
Horizontal only.

Material: Die casting Aluminum body,
Ultra clear tempered glass.

Product Specification

Product Code	YAUB-03A-80	YAUB-03B-80
Input Wattage (W)	30 ~ 80	30 ~ 80
LED Quantity 3030 (EA)	96	96
Product Size (mm)	450×450×318	581×450×720
Packing Size (mm)	560×520×400	560×520×300
Net Weight (kgs)	5.0	6.0
Gross Weight (kgs)	5.5	6.5
Quantity of Packing (PCS)	1	1
Installation Height (m)	4 ~ 8	4 ~ 8
Installation Pipe Diameter	Φ76mm	Φ76mm
Adjustable Angle	Not Adjustable	
Materials	Housing:Aluminium, Cover:Toughened Glass, Screws:304 stainless screws	
Spray Colors	Double Grey, Sandy Black, Matt Silver	
Led Brand	LUMILEDS, OSRAM, CREE (Optional)	
Led Specifications	3030, 5050 (Optional)	
Optical Effect	130~150 lm/w (Optional)	
Color Temperature	2700K, 3000K, 3500K, 4000K, 5000K, 5700K, 6500K (Optional) (Reference: Energy Star)	
Color Rendering Index	Ra≥70, Ra≥80, Ra≥90 (Optional)	
Optics	120°	TYPEI, TYPEII, TYPEIII, TYPEV, TYPEIV (Optional)
Driver Brand	PHILIPS / OSRAM / TRIDONIC / MEAN WELL / SOSEN / INVENTRONICS	
Input Voltage	AC90~305V	
Security Level	ClassI / ClassII / Class1 / Class2 (Optional)	
Frequency Range	50/60Hz	
Power Factor	PF≥0.95	
Protection	Overcurrent / Short circuit / Over temperature	
Dimming Mode	Time control / 0-10V / Opticalcontrol / Microwaves / DALI (Optional)	
Lightning Protection	10KV / 15KV / 20KV (Optional)	
Working Conditions Range	-40 to 45°C, 20% to 90% RH	
Warranty	5/8 years (Optional)	
Protection Level	IP66, GlassIK08/09/10 (Optional), Lamp shell IK08	
Certifications	ENEC; CE; CB; IEC; RoHs; TUV; Lightning protection; LM-79; LM-80; IP66	



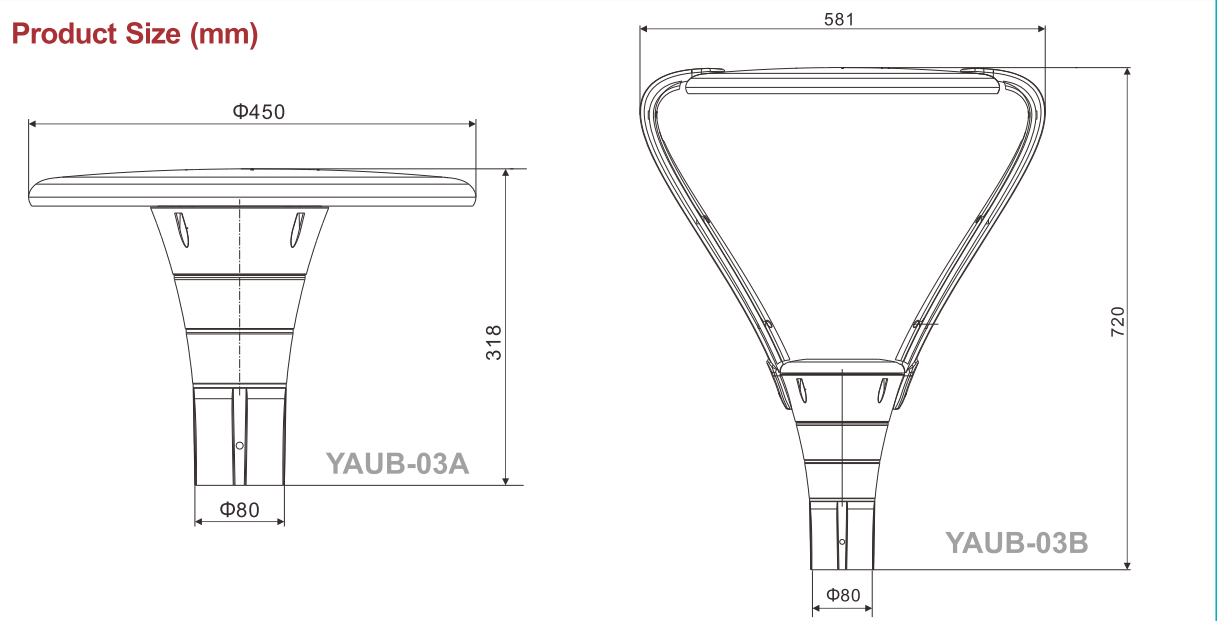
LED Garden Light YAUB-03B

Installing Ways:
Horizontal only.

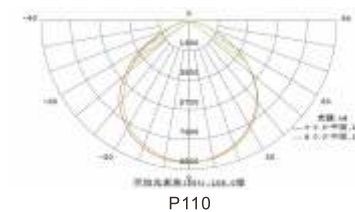
Material: Die casting Aluminum body,
Ultra clear tempered glass and PC lens.



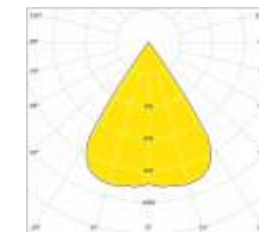
Product Size (mm)



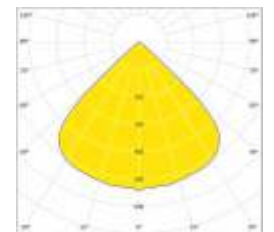
Photometric Data



P110



DH-60



DH-90



YAUB-02-50

YAUB-02-120



Die-casting Man

LED Garden Light YAUB-02

Material:
High pressure die casting aluminium housing and bracket, Ultra clear tempered glass with PC lens. Two sized and wattage available from 30W to 120W

Product Specification

Product Code	YAUB-02-50	YASL-12B-50	YAUB-02-120	YASL-12B-120
Input Wattage (W)	30 ~ 120	30 ~ 120	100 ~ 200	100 ~ 200
Number of Lenses (PCS)	9	9	15	15
Product Size (mm)	474×416×390	430×416×191	580×522×390	537×522×193
Packing Size (mm)	595×495×155	595×495×155	700×570×165	700×570×165
Net Weight (kgs)	9.5	9.0	13.0	12.5
Gross Weight (kgs)	10.5	9.5	14.0	13.8
Quantity of Packing (PCS)	1	1	1	1
Installation Height (m)	3~8	3~8	5~10	5~10
Installation Pipe Diameter	Φ14mm	Φ60mm	Φ14mm	Φ60mm
Adjustable Angle	Not Adjustable			
Materials	Housing:Aluminium, Cover:Toughened Glass, Screws:304 stainless screws			
Spray Colors	Double Grey, Sandy Black, Matt Silver			
Led Brand	LUMILEDS, OSRAM, CREE (Optional)			
Led Specifications	3030, 5050 (Optional)			
Optical Effect	130~150 lm/w (Optional)			
Color Temperature	2700K, 3000K, 3500K, 4000K, 5000K, 5700K, 6500K (Optional) (Reference: Energy Star)			
Color Rendering Index	Ra≥70, Ra≥80, Ra≥90 (Optional)			
Optics	TYPEI, TYPEII, TYPEIII, TYPEV, TYPEIV (Optional)			
Driver Brand	PHILIPS / OSRAM / TRIDONIC / MEAN WELL / SOSEN / INVENTRONICS			
Input Voltage	AC90~305V			
Security Level	ClassI / ClassII / Class1 / Class2 (Optional)			
Frequency Range	50/60Hz			
Power Factor	PF≥0.95			
Protection	Overcurrent / Short circuit / Over temperature			
Dimming Mode	Time control / 0-10V / Opticalcontrol / Microwaves / DALI (Optional)			
Lightning Protection	10KV / 15KV / 20KV (Optional)			
Working Conditions Range	-30 to 45°C, 20% to 90% RH			
Warranty	5/8 years (Optional)			
Protection Level	IP66, GlassIK08/09/10 (Optional), Lamp shell IK10			
Certifications	ENEC; CE; CB; IEC; RoHs; TUV; Lightning protection; LM-79; LM-80; IP66			



YASL-12B-120



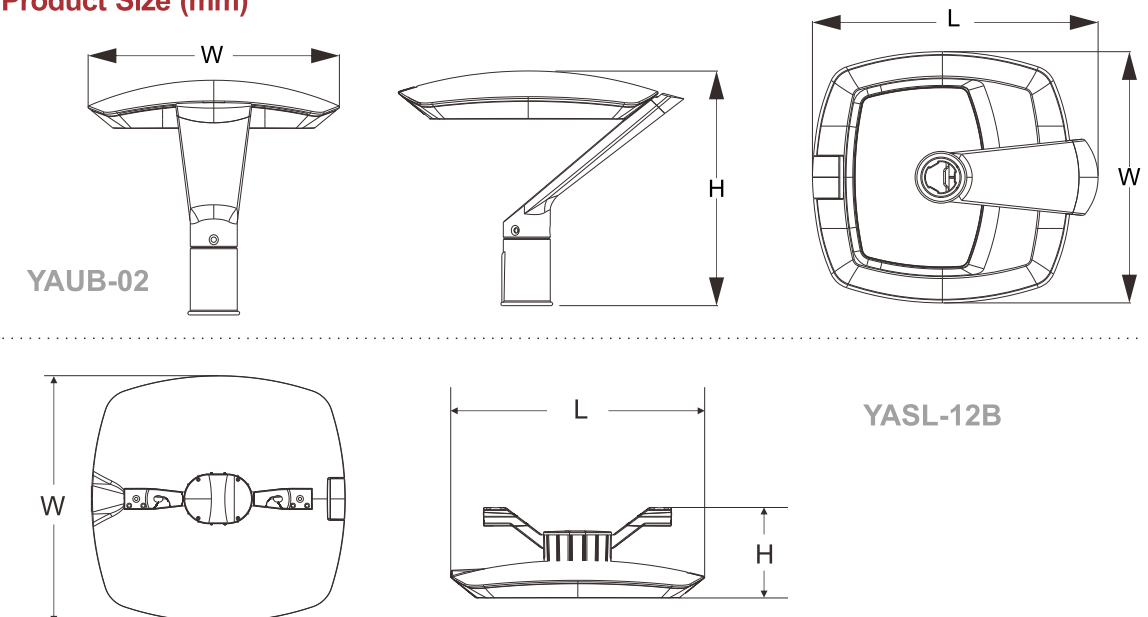
Die-casting Man

LED Garden Light YASL-12B

Material:
High pressure die casting aluminium housing and bracket, Ultra clear tempered glass with PC lens. Two sized and wattage available from 30W to 120W



Product Size (mm)

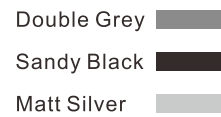


Light Distribution (For details, please refer to the summary table of light distribution curves on page 78,79,80.)

YAUB-02	IES Type Light Distribution Cure							
	DH-T1	DH-T2-L	DH-T2-M	DH-T2-MB	DH-T3-M	DH-T3-MA	DH-T3-MB	DH-T4-M
DH-T5-M	DY-T2-M	DY-T3-M	GY-T1-M	GY-T2-S	GY-T2-M	GY-T3-M	GY-T2-M01	
YASL-12B	GJ-T3-M01	GX-T2-S	GX-T2-M	GX-T3-M	GX-T4-M	GX-T4-L	GX-T5	
	GJ-T3-M	GJ-T4-M	HY-T2-S	HY-T3-M	HX-T2-S	HX-T2-M	HX-T3-M	
							HX-T4-M	



Die-casting Man

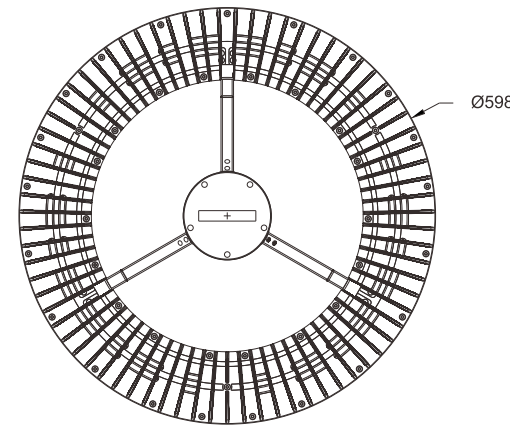
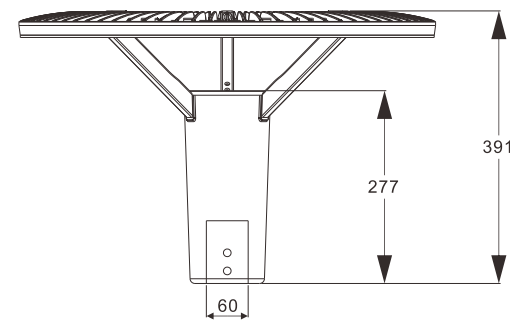
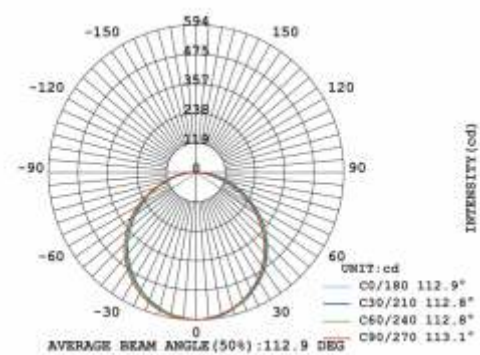
**Color:****LED Garden Light YAUB-01**

Installing Ways:
Horizontal only.

Material: Die casting Aluminum body,
and PC lens.

Product Specification

Product Code	YAUB-01-54
Input Wattage	60W
Color Temperature	3000-6500K
Luminous Flux	4800-5500 lm
Input Voltage	AC90-305V
Frequency Range	50/60Hz
Power Factor	PF≥0.95
Color rendering index	Ra≥70
Temperature of Working Condition	-40-50°C
Humidity of Working Condition	10%-90%RH
LED Lifetime	50000h
Protection Grade	IP65
Installation Pipe Diameter	Φ60mm
Installation Height	4-8m
Net Weight	7.63kgs
Gross Weight	8.73kgs
Packing Size(mm)	610×610×245

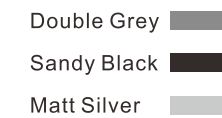
**Photometric Data**

Die-casting Man

**LED Garden Light YAGD-01**

Installing Ways:
Horizontal only.

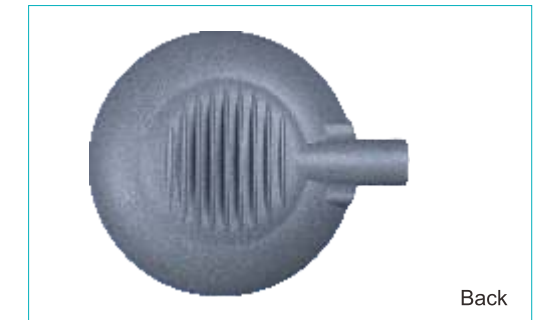
Material:
Die casting body,
Ultra clear tempered glass.

Color:

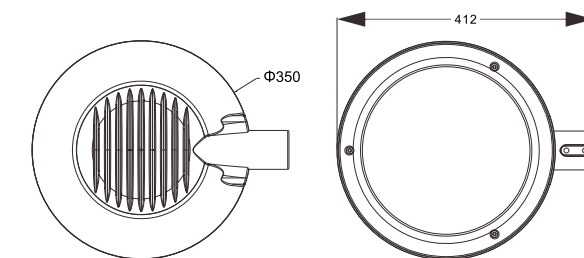
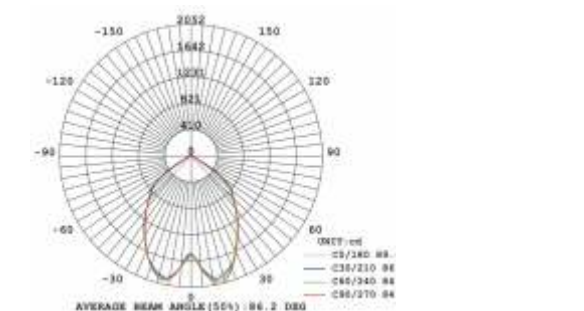
Side



Front



Back

**Photometric Data****Product Specification**

Product Code	YAGD-01-50
Input Wattage	50W
Color Temperature	3000-6500K
Luminous Flux	5500-6500 lm
Input Voltage	AC90-305V
Frequency Range	50/60Hz
Power Factor	PF≥0.95
Color rendering index	Ra≥70
Temperature of Working Condition	-40-50°C
Humidity of Working Condition	20%-90%RH
LED Lifetime	50000h
Protection Grade	IP66
Installation Pipe Diameter	Φ50mm
Installation Height	6-8m
Net Weight	4.4kgs
Gross Weight	5.2kgs
Packing Size(mm)	390×390×150

LED High Bay YAHB-05

Nice-looking UFO , very popular in the market , 3 types of beam angle for option.

Material:
Die casting body + PC lens



Die-casting Man



Die-casting Man

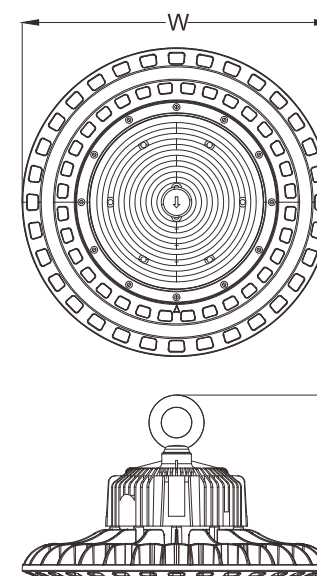
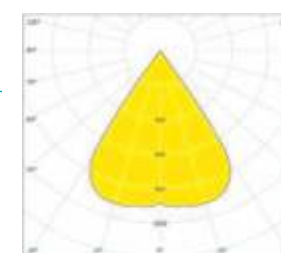
Product Specification

Product Code	YAHB-05-100	YAHB-05-150	YAHB-05-200
Input Wattage (W)	100 ~ 150	150 ~ 200	200 ~ 250
Number of Lenses (PCS)	1	1	1
LED Quantity 3030 (PCS)	144/256	210/320	288/384
Product Size (mm)	Φ282×48×115	Φ342×52×119	Φ403×58×128
Packing Size (mm)	295×295×125	350×350×130	415×415×140
Net Weight (kgs)	3.6	4.8	6.5
Gross Weight (kgs)	4.0	5.3	7.0
Quantity of Packing (PCS)	1	1	1
Installation Height (m)	4 ~ 6	6 ~ 10	8 ~ 12
Materials	Housing:Aluminium, Cover:Toughened Glass, Screws:304 stainless screws		
Spray Colors	Double Grey, Sandy Black, Matt Silver		
Led Brand	LUMILEDS, OSRAM, CREE (Optional)		
Optical Effect	130~150 lm/w (Optional)		
Color Temperature	2700K, 3000K, 3500K, 4000K, 5000K, 5700K, 6500K (Optional) (Reference: Energy Star)		
Color Rendering Index	Ra≥70, Ra≥80, Ra≥90 (Optional)		
Optics	60°, 90°, 120 (Optional)		
Driver Brand	PHILIPS / OSRAM / TRIDONIC / MEAN WELL / SOSEN / INVENTRONICS		
Input Voltage	AC90~305V		
Security Level	ClassI / ClassII / Class1 / Class2 (Optional)		
Frequency Range	50/60Hz		
Power Factor	PF≥0.95		
Protection	Overcurrent / Short circuit / Over temperature		
Dimming Mode	Time control / 0-10V / Opticalcontrol / Microwaves / DALI (Optional)		
Lightning Protection	10KV / 15KV / 20KV (Optional)		
Working Conditions Range	-30 to 45°C, 20% to 90% RH		
Warranty	5/8 years (Optional)		
Protection Level	IP66, GlassIK08/09/10 (Optional), Lamp shell IK09		
Certifications	ENEC; CE; CB; IEC; RoHs; TUV; Lightning protection; LM-79; LM-80; IP66		

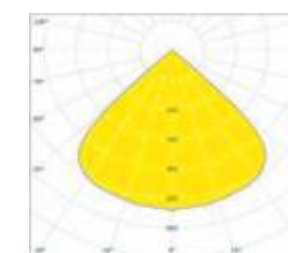
**LED High Bay YAHB-05****Product Description**

This series is a high-performance High Bay available in three sizes. The luminaire is manufactured from high pressure die-casting aluminum. It shall have a led efficiency up to 150 lm/w and will be capable of producing up to 35000 luminaire lumens at 4000K finished in Grey or black as standard.

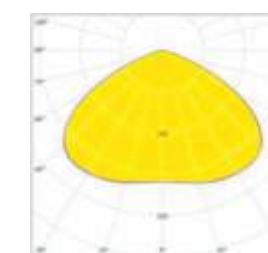
IP66 CE ROHS

Product Size (mm)**Photometric Data**

MH-05-60



MH-05-90



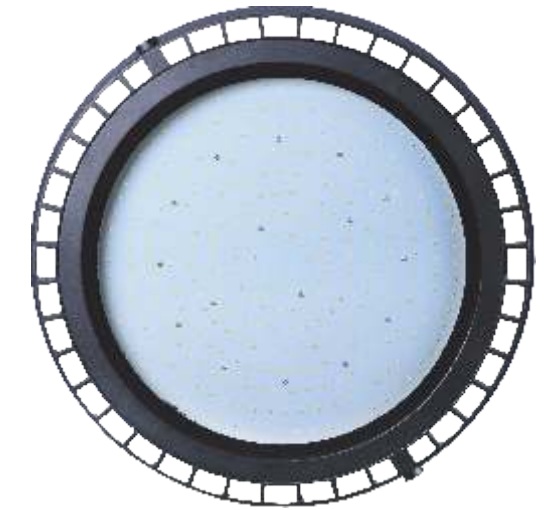
MH-05-120

LED High Bay YAHB-04

Material:
Die casting body.
Gear box available on requires.
Both glass and PC lens available.



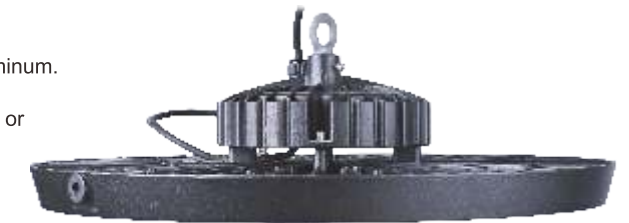
Die-casting Man



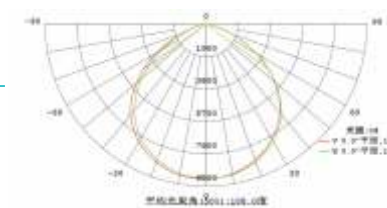
Die-casting Man

LED High Bay YAHB-04**Product Description**

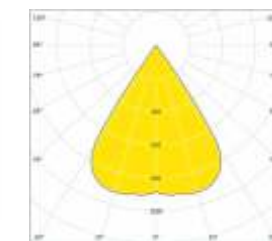
This series is a high-performance High Bay available in five sizes. The luminaire is manufactured from high pressure die-casting aluminum. It shall have a led efficiency up to 170 lm/w and will be capable of producing up to 36000 luminaire lumens at 4000K finished in Grey or black as standard.

IP66 CE ROHS**Product Specification**

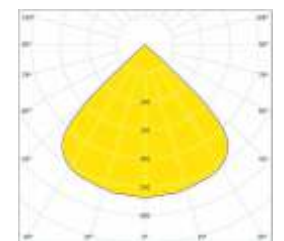
Product Code	YAHB-04-100	YAHB-04-150	YAHB-04-200	YAHB-04-250	YAHB-04-300
Input Wattage (W)	60 ~ 100	120 ~ 150	180 ~ 200	200 ~ 250	250 ~ 300
Number of Lenses (PCS)	1	1	1	1	1
Product Size (mm)	368×366×187	368×366×187	423×418×187	423×418×187	514×511×208
Packing Size (mm)	380×380×185	380×380×185	430×430×185	430×430×185	525×525×210
Net Weight (kgs)	3.2	3.3	3.9	4.2	5.9
Gross Weight (kgs)	3.8	4.0	4.8	5.0	6.7
Quantity of Packing (PCS)	1	1	1	1	1
Installation Height (m)	3 ~ 6	4 ~ 8	6 ~ 10	8 ~ 12	10 ~ 14
Materials	Housing:Aluminium, Cover:Toughened Glass, Screws:304 stainless screws				
Spray Colors	Double Grey, Sandy Black, Matt Silver				
Led Brand	LUMILEDS, OSRAM, CREE (Optional)				
Optical Effect	130~150 lm/w (Optional)				
Color Temperature	2700K, 3000K, 3500K, 4000K, 5000K, 5700K, 6500K (Optional) (Reference: Energy Star)				
Color Rendering Index	Ra≥70, Ra≥80, Ra≥90 (Optional)				
Optics	60° / 90°	60° / 90°	60° / 90°	60° / 90°	120°
Driver Brand	PHILIPS / OSRAM / TRIDONIC / MEAN WELL / SOSEN / INVENTRONICS				
Input Voltage	AC90~305V				
Security Level	ClassI / ClassII / Class1 / Class2 (Optional)				
Frequency Range	50/60Hz				
Power Factor	PF≥0.95				
Protection	Overcurrent / Short circuit / Over temperature				
Dimming Mode	Time control / 0-10V / Opticalcontrol / Microwaves / DALI (Optional)				
Lightning Protection	10KV / 15KV / 20KV (Optional)				
Working Conditions Range	-30 to 45°C, 20% to 90% RH				
Warranty	5/8 years (Optional)				
Protection Level	IP66, GlassIK08/09/10 (Optional), Lamp shell IK09				
Certifications	ENEC; CE; CB; IEC; RoHs; TUV; Lightning protection; LM-79; LM-80; IP66				

**Photometric Data**

P110



DH-60



DH-90

LED High Bay YAHB-02

Nice-looking UFO , very popular in the market , 3 types of beam angle for option.

Material:
Die casting body + PC lens



Die-casting Man

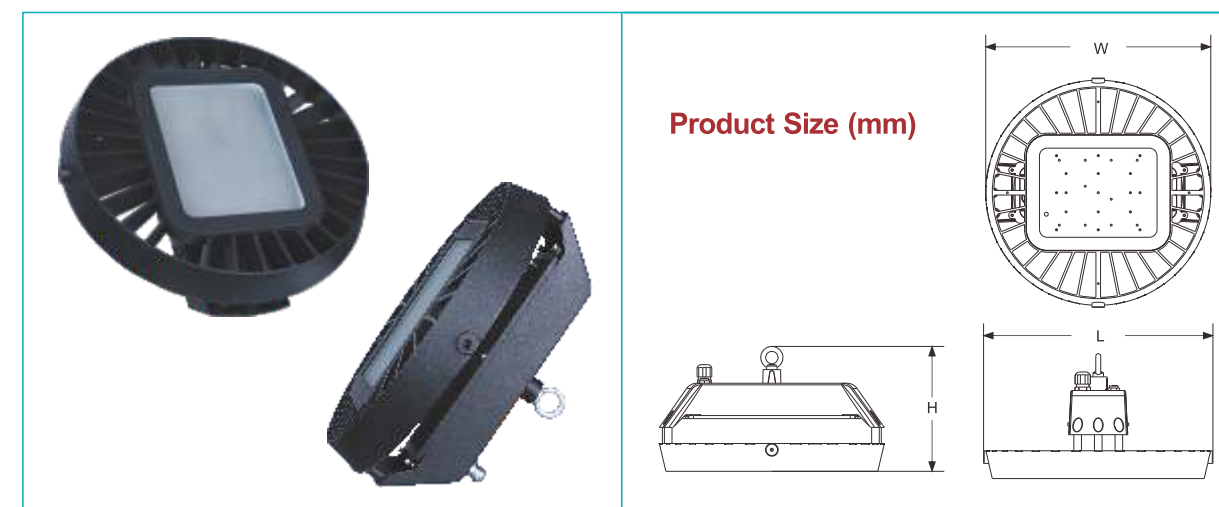
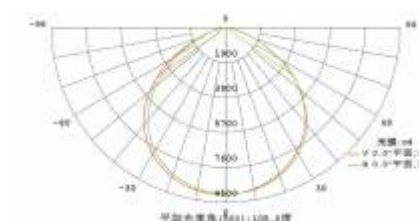
Product Specification

Product Code	YAHB-02-80	YAHB-02-200
Input Wattage (W)	60 ~ 100	120 ~ 200
Installation Method	Hook	Hook
LED Quantity 3030 (PCS)	120	252
Product Size (mm)	371×364×202	464×457×223
Packing Size (mm)	410×410×200	470×470×200
Net Weight (kgs)	7.4	8.2
Gross Weight (kgs)	8.6	10.1
Quantity of Packing (PCS)	1	1
Installation Height (m)	4 ~ 8	6 ~ 10
Materials	Housing:Aluminium, Cover:Toughened Glass, Screws:304 stainless screws	
Spray Colors	Double Grey, Sandy Black, Matt Silver	
Led Brand	LUMILEDS, OSRAM, CREE (Optional)	
Optical Effect	130~150 lm/w (Optional)	
Color Temperature	2700K, 3000K, 3500K, 4000K, 5000K, 5700K, 6500K (Optional) (Reference: Energy Star)	
Color Rendering Index	Ra≥70, Ra≥80, Ra≥90 (Optional)	
Optics	30°, 60°, 90°, 120°, P50°; TYPEI, TYPEII, TYPEIII, TYPEV, TYPEIV (Optional)	
Driver Brand	PHILIPS / OSRAM / TRIDONIC / MEAN WELL / SOSEN / INVENTRONICS	
Input Voltage	AC90~305V	
Security Level	ClassI / ClassII / Class1 / Class2 (Optional)	
Frequency Range	50/60Hz	
Power Factor	PF≥0.95	
Protection	Overcurrent / Short circuit / Over temperature	
Dimming Mode	Time control / 0-10V / Opticalcontrol / Microwaves / DALI (Optional)	
Lightning Protection	10KV / 15KV / 20KV (Optional)	
Working Conditions Range	-30 to 45°C, 20% to 90% RH	
Warranty	5/8 years (Optional)	
Protection Level	IP66, GlassIK08/09/10 (Optional), Lamp shell IK09	
Certifications	ENEC; CE; CB; IEC; RoHs; TUV; Lightning protection; LM-79; LM-80; IP66	

**LED High Bay YAHB-02****Product Description**

This series is a high-performance High Bay available in two sizes. The luminaire is manufactured from high pressure die-casting aluminum. It shall have a led efficiency up to 150 lm/w and will be capable of producing up to 24000 luminaire lumens at 4000K finished in Grey or black as standard.

IP66 CE ROHS

**Photometric Data**

P110



Die-casting Man

LED High Mast YAHP-01

Material:
Die casting body.
Gear box available .
Tempered glass cover and PC lens.

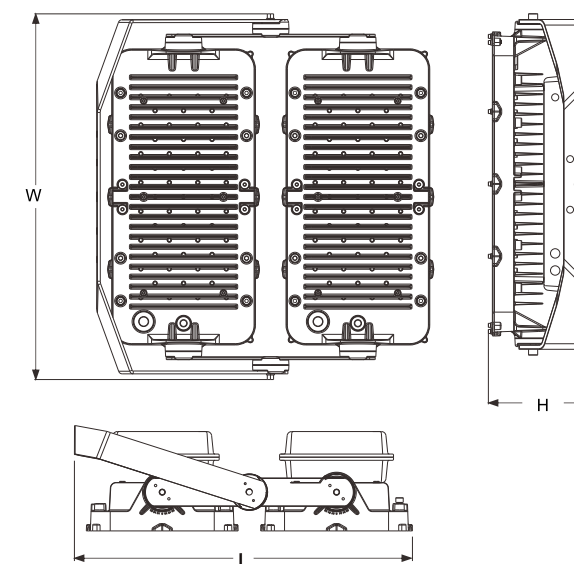
**LED High Mast YAHP-01****Product Description**

This series is a high-performance High Mast in three sizes. The luminaire is manufactured from high pressure die-casting aluminum. It shall have a led efficiency up to 170 lm/w and will be capable of producing up to 75000 luminaire lumens at 4000K finished in Grey or black as standard.

IP66 CE ROHS

Product Specification

Product Code	YAHP-01-200	YAHP-01-400	YAHP-01-600
Input Wattage (W)	100 ~ 400	400 ~ 800	800 ~ 1200
Number of Lenses (PCS)	21/32	42/64	63/96
LED Quantity 5050 (PCS)	126/168/192/256	252/336/384/512	378/504/576/768
Product Size (mm)	600×340×190	637×615×190	952×637×190
Packing Size (mm)	610×350×240	660×620×240	950×660×240
Net Weight (kgs)	12.5	26.4	36.0
Gross Weight (kgs)	13.0	27.0	37.0
Quantity of Packing (PCS)	1	1	1
Installation Height (m)	10 ~ 20	20 ~ 30	30 ~ 40
Materials	Housing:Aluminium, Cover:Toughened Glass, Screws:304 stainless screws		
Spray Colors	Double Grey, Sandy Black, Matt Silver		
Led Brand	LUMILEDS, OSRAM, CREE (Optional)		
Optical Effect	130~150 lm/w (Optional)		
Color Temperature	2700K, 3000K, 3500K, 4000K, 5000K, 5700K, 6500K (Optional) (Reference: Energy Star)		
Color Rendering Index	Ra≥70, Ra≥80, Ra≥90 (Optional)		
Optics	30°, 60°, 90°, 120°, P50°; TYPEI, TYPEII, TYPEIII, TYPEV, TYPEIV (Optional)		
Driver Brand	PHILIPS / OSRAM / TRIDONIC / MEAN WELL / SOSEN / INVENTRONICS		
Input Voltage	AC90~305V		
Security Level	ClassI / ClassII / Class1 / Class2 (Optional)		
Frequency Range	50/60Hz		
Power Factor	PF≥0.95		
Protection	Overcurrent / Short circuit / Over temperature		
Dimming Mode	Time control / 0-10V / Opticalcontrol / Microwaves / DALI (Optional)		
Lightning Protection	10KV / 15KV / 20KV (Optional)		
Working Conditions Range	-30 to 45°C, 20% to 90% RH		
Warranty	5/8 years (Optional)		
Protection Level	IP66, GlassIK08/09/10 (Optional), Lamp shell IK09		
Certifications	ENEC; CE; CB; IEC; RoHs; TUV; Lightning protection; LM-79; LM-80; IP66		

**Product Size (mm)**

Light Distribution (For details, please refer to the summary table of light distribution curves on page 78,79,80.)

YAHP-01	IES Type Light Distribution Cure				
	DH-30	DH-55	DH-90	DH-120	GD-30
GD-60	GD-90	GX-50	GJ-P45	GJ-90	



Die-casting Man

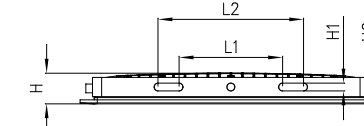
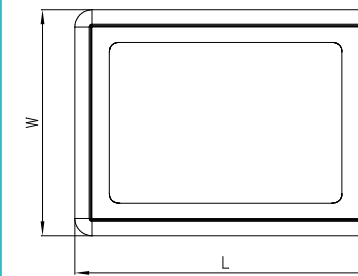


Die-casting Man

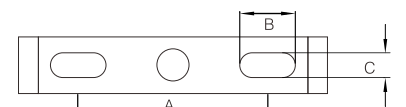
Product Specification

Product Code	FAP-10-10	FAP-10-20	FAP-10-30	FAP-10-50	FAP-10-100	FAP-10-150	FAP-10-200	FAP-10-300
Input Wattage (W)	10	20	30	50	100	150	200	300
Number of Lenses (PCS)	12	24	36/42	56/60/70	112/120/125/140	160/168/196	220/224/280	336/340/420
Product Size (mm)	92×73×23	106×95×23	136×111×26	178×136×29	245×195×30	315×236×32	380×278×38	436×336×48
Single Box (mm)	105×85×35	120×105×35	150×125×35	190×145×40	260×205×40	325×245×45	390×290×50	450×350×60
Packing Size (mm)	400×225×180	400×225×220	400×315×260	450×300×215	420×225×285	335×255×235	400×300×260	460×360×310
Net Weight (kgs)	0.15	0.20	0.30	0.50	0.95	1.60	2.40	3.90
Gross Weight (kgs)	6.80	8.80	13.2	10.6	10.2	8.00	11.8	19.3
Quantity of Packing (PCS)	40	40	40	20	10	5	5	5
Materials	Housing:Aluminium, Cover:Toughened Glass, Screws:304 stainless screws							
Spray Colors	Double Grey, Sandy Black, Matt Silver							
Led Brand	LIGHTNING, TongYiFang, XUUYU (Optional)							
Led Specifications	2835, 3030 (Optional)							
Optical Effect	80~100 lm/w (Optional)							
Color Temperature	2700K, 3000K, 3500K, 4000K, 5000K, 5700K, 6500K (Optional) (Reference: Energy Star)							
Color Rendering Index	Ra≥70, Ra≥80, Ra≥90 (Optional)							
Temperature	Work Temperature: -20 ~ +45°C; Storage Temperature -40 ~ +60°C							
Input Voltage	AC100-240V/220-240Vac							
Total harmonic distortion(THD)	<20%							
Power Factor	DOB high PF≥0.9, DOB Low PF≥0.5							
Dimming Mode	Microwave induction / Infrared sensing (Optional)							
Lightning Surge	10W ~ 150W 4KV, 200W-500W 10KV Or 20KV							
Insulation Resistance	≥2MΩ							
Frequency Range	50/60Hz							
Warranty	2/3 years (Optional)							
Protection Level	IP65, GlassIK08/09/10 (Optional), Lamp shell IK08							
Certifications	ENEC; CE; CB; IEC; RoHs; TUV; Lightning protection; LM-79; LM-80; IP66							

Product Size (mm)

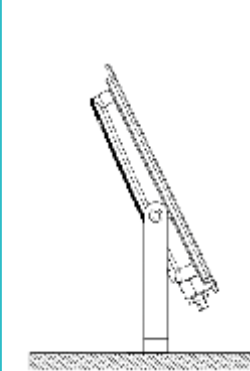


Mounting hole size

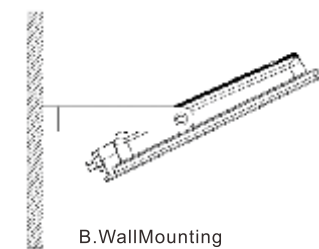


FAP10-10	35.5×7.5×4.3(mm)
FAP10-20	45×15×4.5(mm)
FAP10-30	59×15×5.2(mm)
FAP10-50	82.6×30×6.3(mm)
FAP10-100	120×30×6.5(mm)
FAP10-150	130×30×8.2(mm)
FAP10-200	170×50×8.5(mm)
FAP10-300	231×45.5×10.5(mm)

Installation

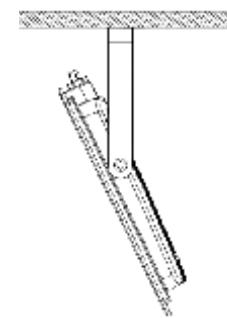


A.Horizontal Installation

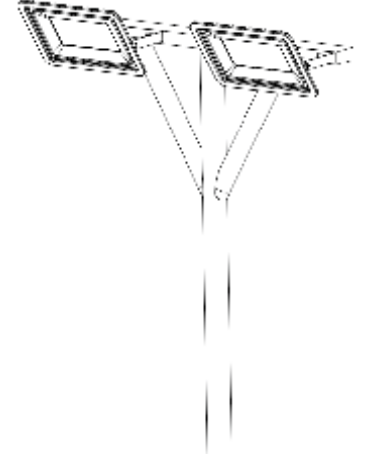


B.Wall Mounting

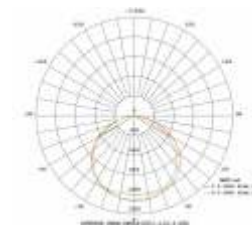
C.Ceiling Installation



For Example



Photometric Data





Die-casting Man



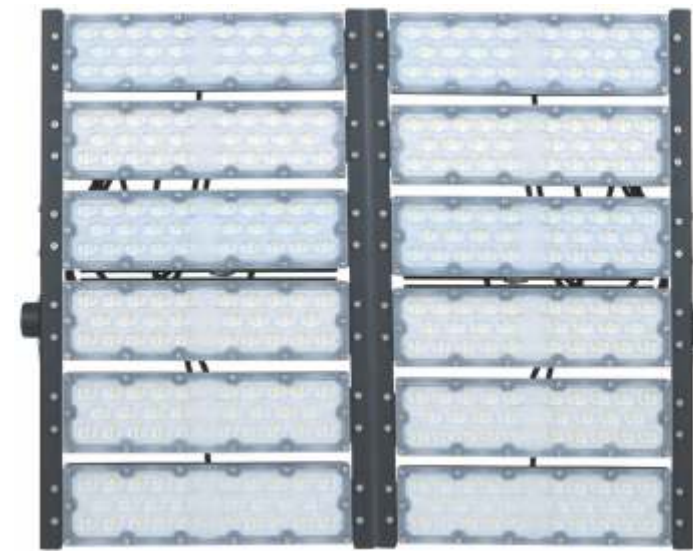
HP-S05-300



HP-S05-050



HP-S05-100



HP-S05-600S



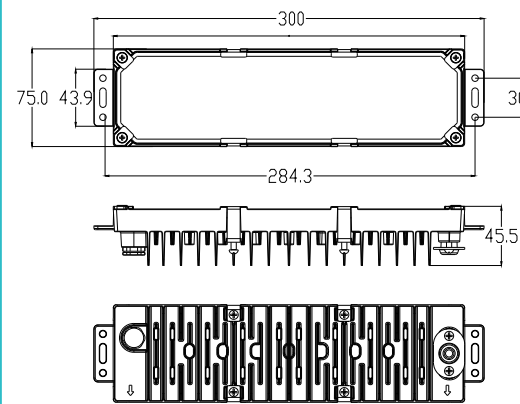
Die-casting Man



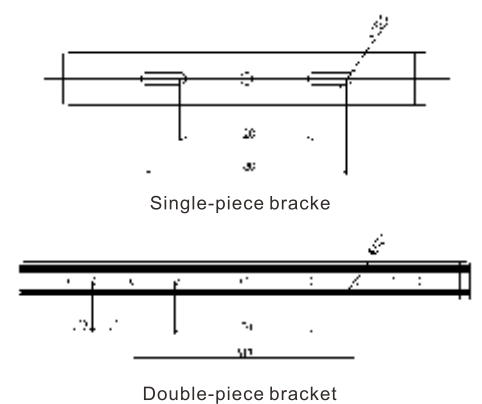
Product Specification

Product Code	HP S05-050	HP S05-100	HP S05-150	HP S05-200	HP S05-250	HP S05-300	HP S05-400S	HP S05-500S	HP S05-600S
Input Wattage (W)	50	100	150	200	250	300	400	500	600
Number of Lenses (PCS)	1	2	3	4	5	6	8	10	12
LED Quantity 3030/5050	56/28PCS	112/56PCS	168/84PCS	224/112PCS	280/140PCS	336/168PCS	448/224PCS	560/280PCS	672/336PCS
Product Size (mm)	80×360×179	207×360×120	240×360×120	320×360×120	400×360×120	480×360×120	320×681×120	400×681×120	480×681×120
Packing Size (mm)	380×200×95	380×285×170	380×310×170	390×380×170	480×380×170	565×380×170	705×395×175	705×485×175	705×570×175
Net Weight (kgs)	3.1	4.2	5.3	6.5	7.6	9.0	12.3	14.6	16.9
Gross Weight (kgs)	3.8	5.5	6.2	7.6	8.5	9.9	13.3	15.6	18.1
Quantity of Packing (PCS)	1	1	1	1	1	1	1	1	1
Installation Height (m)	3~6	4~8	6~10	8~12	10~15	15~20	20~25	25~30	25~30
Materials	Housing:Aluminium, Cover:Toughened Glass, Screws:304 stainless screws								
Spray Colors	Double Grey, Sandy Black, Matt Silver								
Led Brand	LIGHTNING, TongYiFang, XUYU (Optional)								
Optical Effect	130 / 160 lm/w (Optional)								
Color Temperature	2700K, 3000K, 3500K, 4000K, 5000K, 5700K, 6500K (Optional) (Reference: Energy Star)								
Color Rendering Index	Ra≥70, Ra≥80, Ra≥90 (Optional)								
Optics	30°, 60°, 90°, 120°, P50°, TYPE I, TYPE II, TYPE III, TYPE V, TYPE IV (Optional)								
Driver Brand	PHILIPS / OSRAM / TRIDONIC / MEAN WELL / SOSEN / INVENTRONICS								
Input Voltage	AC90 ~ 305V								
Security Level	Class I / Class II / Class 1 / Class 2 (Optional)								
Frequency Range	50/60Hz								
Power Factor	PF≥0.95								
Protection	Overcurrent / Short circuit / Over temperature								
Dimming Mode	Time control / 0-10V / Opticalcontrol / Microwaves / DALI (Optional)								
Lightning Protection	10KV / 15KV / 20KV (Optional)								
Working Conditions Range	-30 to 45°C, 20% to 90% RH								
Warranty	5/8 years (Optional)								
Protection Level	IP66, GlassIK08/09/10 (Optional), Lamp shell IK09								
Certifications	ENEC; CE; CB; IEC; RoHs; TUV; Lightning protection; LM-79; LM-80; IP66								

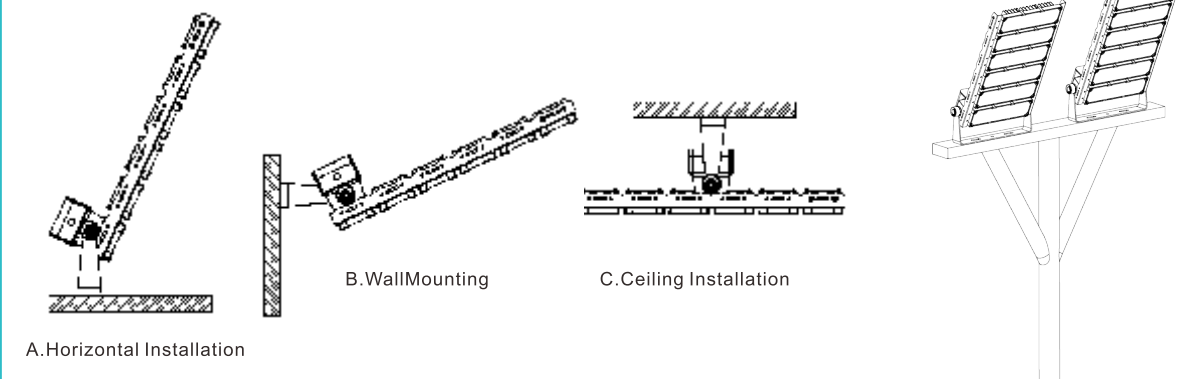
Product Size (mm)



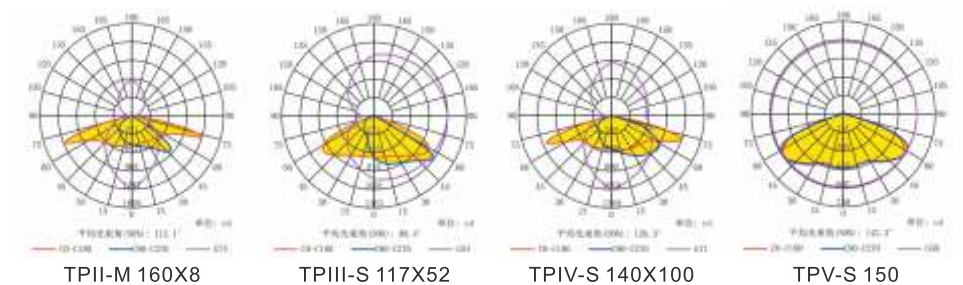
Mounting hole size



Installation



Photometric Data





HP-S05A-300



HP-S05A-050



HP-S05A-150



Die-casting Man



HP-S05A-600S

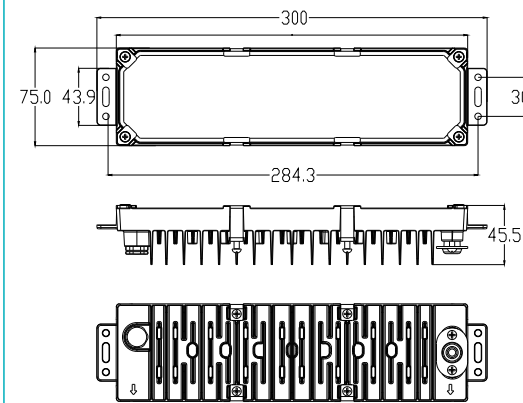


Die-casting Man

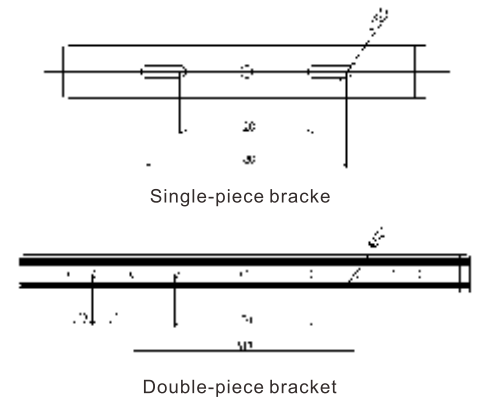
Product Specification

Product Code	HP S05A-050	HP S05A-100	HP S05A-150	HP S05A-200	HP S05A-250	HP S05A-300	HP S05A-400S	HP S05A-500S	HP S05A-600S
Input Wattage (W)	50	100	150	200	250	300	400	500	600
Number of Lenses (PCS)	4	8	12	16	20	24	32	40	48
LED Quantity 3030/5050	64/24PCS	128/48PCS	192/72PCS	256/96PCS	320/120PCS	384/144PCS	512/192PCS	640/240PCS	768/288PCS
Product Size (mm)	80×360×184	207×360×125	240×360×125	320×360×125	400×360×125	480×360×125	320×680×125	400×680×125	480×680×125
Packing Size (mm)	380×200×95	380×285×170	380×310×170	390×380×170	480×380×170	565×380×170	705×395×175	705×485×175	705×570×175
Net Weight (kgs)	3.4	4.5	5.7	6.8	7.9	9.3	12.9	15.2	17.5
Gross Weight (kgs)	4.1	5.8	6.5	7.9	8.8	10.2	13.9	16.2	18.7
Quantity of Packing (PCS)	1	1	1	1	1	1	1	1	1
Installation Height (m)	3~6	4~8	6~10	8~12	10~15	15~20	20~25	25~30	25~30
Materials	Housing:Aluminium, Cover:Toughened Glass, Screws:304 stainless screws								
Spray Colors	Double Grey, Sandy Black, Matt Silver								
Led Brand	LIGHTNING, TongYiFang, XUYU (Optional)								
Optical Effect	130 / 150 lm/w (Optional)								
Color Temperature	2700K, 3000K, 3500K, 4000K, 5000K, 5700K, 6500K (Optional) (Reference: Energy Star)								
Color Rendering Index	Ra≥70, Ra≥80, Ra≥90 (Optional)								
Optics	30°, 60°, 90°, 120°, P50°, TYPE I, TYPE II, TYPE III, TYPE V, TYPE IV (Optional)								
Driver Brand	PHILIPS / OSRAM / TRIDONIC / MEAN WELL / SOSEN / INVENTRONICS								
Input Voltage	AC90 ~ 305V								
Security Level	Class I / Class II / Class1 / Class2 (Optional)								
Frequency Range	50/60Hz								
Power Factor	PF≥0.95								
Protection	Overcurrent / Short circuit / Over temperature								
Dimming Mode	Time control / 0-10V / Opticalcontrol / Microwaves / DALI (Optional)								
Lightning Protection	10KV / 15KV / 20KV (Optional)								
Working Conditions Range	-30 to 45°C, 20% to 90% RH								
Warranty	5/8 years (Optional)								
Protection Level	IP66, GlassIK08/09/10 (Optional), Lamp shell IK09								
Certifications	ENEC; CE; CB; IEC; RoHs; TUV; Lightning protection; LM-79; LM-80; IP66								

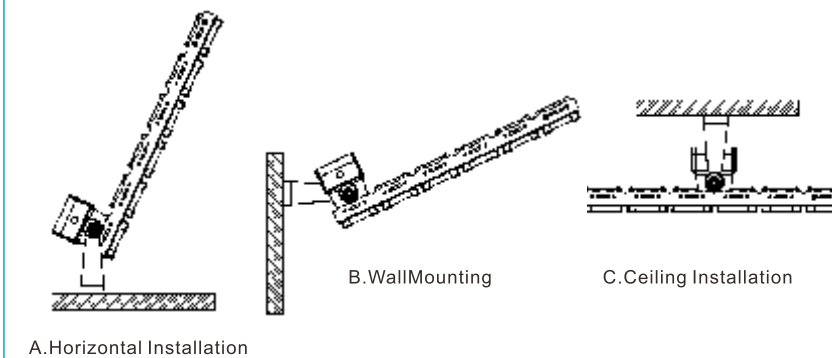
Product Size (mm)



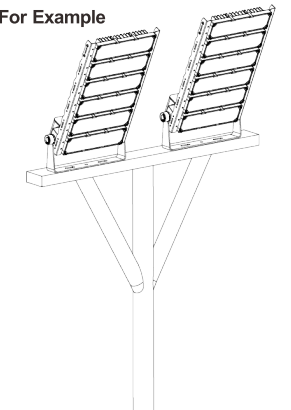
Mounting hole size



Installation



For Example



Light Distribution (For details, please refer to the summary table of light distribution curves on page 78,79,80.)

HP-S05A	IES Type Light Distribution Curve				
	30°	60°	90°	120°	TP V
	P50°	TP II-M	TP III-M	TP IV-M	



HP-S05B-300



Die-casting Man



HP-S05B-100



HP-S05B-200

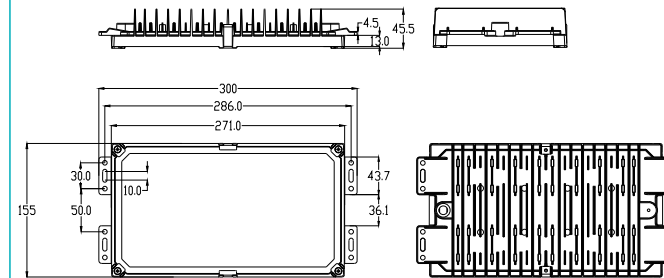


Die-casting Man

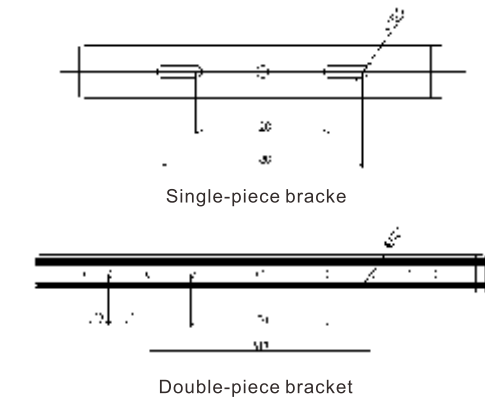
Product Specification

Product Code	HP S05B-100	HP S05B-200	HP S05B-300	HP S05B-400	HP S05B-400S	HP S05B-600S
Input Wattage (W)	100	200	300	400	400	600
Number of Lenses (PCS)	8	16	24	32	32	48
LED Quantity 3030/5050	128/48PCS	256/96PCS	384/144PCS	512/192PCS	512/192PCS	768/288PCS
Product Size (mm)	207×359×125	320×359×125	480×359×125	640×359×125	320×675×125	480×675×125
Packing Size (mm)	380×285×170	390×380×170	565×380×170	725×380×175	705×395×175	705×570×175
Net Weight (kgs)	4.5	6.8	9.3	12.9	12.9	17.5
Gross Weight (kgs)	5.8	7.9	10.2	13.9	13.9	18.7
Quantity of Packing (PCS)	1	1	1	1	1	1
Installation Height (m)	6 ~ 10	8 ~ 12	10 ~ 20	20 ~ 25	20 ~ 25	25 ~ 30
Materials	Housing:Aluminium, Cover:Toughened Glass, Screws:304 stainless screws					
Spray Colors	Double Grey, Sandy Black, Matt Silver					
Led Brand	LIGHTNING, TongYiFang, XUYU (Optional)					
Optical Effect	130 / 150 lm/w (Optional)					
Color Temperature	2700K, 3000K, 3500K, 4000K, 5000K, 5700K, 6500K (Optional) (Reference: Energy Star)					
Color Rendering Index	Ra≥70, Ra≥80, Ra≥90 (Optional)					
Optics	30°, 60°, 90°, 120°, P50°, TYPE I, TYPE II, TYPE III, TYPE V, TYPE IV (Optional)					
Driver Brand	PHILIPS / OSRAM / TRIDONIC / MEAN WELL / SOSEN / INVENTRONICS					
Input Voltage	AC90 ~ 305V					
Security Level	Class I / Class II / Class 1 / Class 2 (Optional)					
Frequency Range	50/60Hz					
Power Factor	PF≥0.95					
Protection	Overcurrent / Short circuit / Over temperature					
Dimming Mode	Time control / 0-10V / Opticalcontrol / Microwaves / DALI (Optional)					
Lightning Protection	10KV / 15KV / 20KV (Optional)					
Working Conditions Range	-30 to 45°C, 20% to 90% RH					
Warranty	5/8 years (Optional)					
Protection Level	IP66, GlassIK08/09/10 (Optional), Lamp shell IK09					
Certifications	ENEC; CE; CB; IEC; RoHS; TUV; Lightning protection; LM-79; LM-80; IP66					

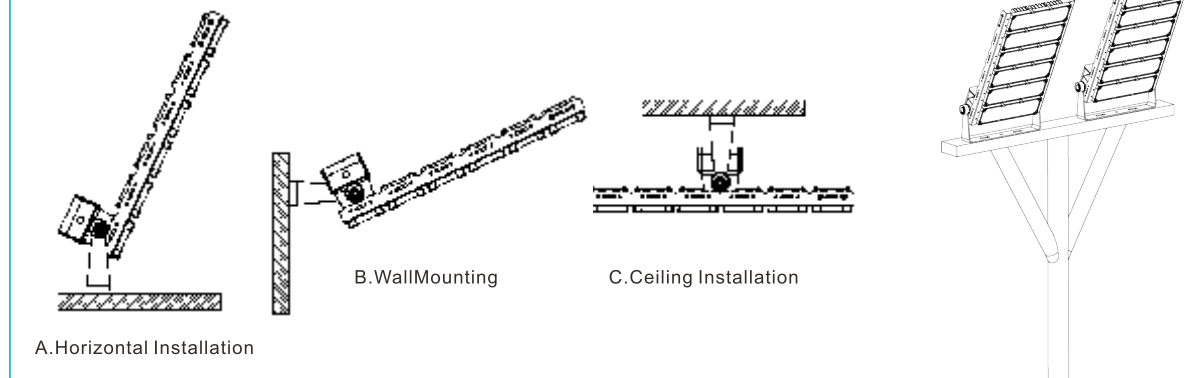
Product Size (mm)



Mounting hole size



Installation



Light Distribution (For details, please refer to the summary table of light distribution curves on page 78,79,80.)

HP-S05B	IES Type Light Distribution Curve				
	30°	60°	90°	120°	TP V
	P50°	TP II-M	TP III-M	TP IV-M	



HP-S05C-1200S



HP-S05C-600



Die-casting Man



HP-S05C-200



HP-S05C-400

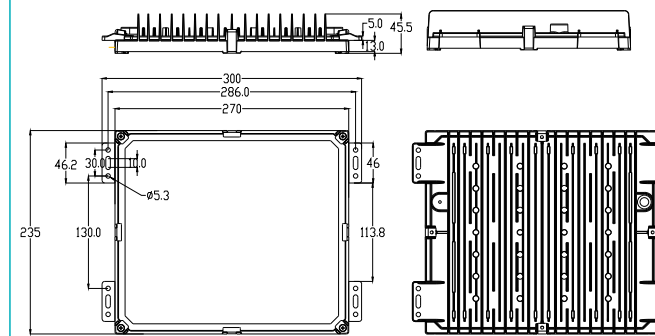


Die-casting Man

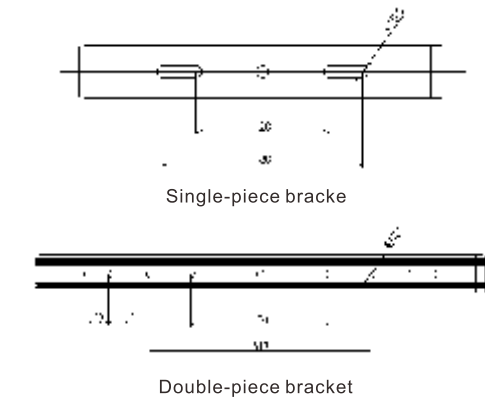
Product Specification

Product Code	HP S05C-200	HP S05C-400	HP S05C-600	HP S05C-800S	HP S05C-1200S
Input Wattage (W)	200	400	600	800	1200
Number of Lenses (PCS)	16	32	48	64	96
LED Quantity 3030/5050	256/96PCS	512/192PCS	768/288PCS	1024/384PCS	1536/576PCS
Product Size (mm)	247×359×125	480×359×125	720×359×125	480×675×125	720×675×125
Packing Size (mm)	310×380×170	565×380×170	805×380×170	705×570×175	810×705×175
Net Weight (kgs)	6.8	12.9	17.5	22.1	26.7
Gross Weight (kgs)	7.9	13.9	18.7	23.5	28.3
Quantity of Packing (PCS)	1	1	1	1	1
Installation Height (m)	10 ~ 15	15 ~ 25	25 ~ 30	20 ~ 25	30 ~ 40
Materials	Housing:Aluminium, Cover:Toughened Glass, Screws:304 stainless screws				
Spray Colors	Double Grey, Sandy Black, Matt Silver				
Led Brand	LIGHTNING, TongYiFang, XUYU (Optional)				
Optical Effect	130 / 150 lm/w (Optional)				
Color Temperature	2700K, 3000K, 3500K, 4000K, 5000K, 5700K, 6500K (Optional) (Reference: Energy Star)				
Color Rendering Index	Ra≥70, Ra≥80, Ra≥90 (Optional)				
Optics	30°, 60°, 90°, 120°, P50°, TYPE I, TYPE II, TYPE III, TYPE V, TYPE IV (Optional)				
Driver Brand	PHILIPS / OSRAM / TRIDONIC / MEAN WELL / SOSEN / INVENTRONICS				
Input Voltage	AC90 ~ 305V				
Security Level	Class I / Class II / Class 1 / Class 2 (Optional)				
Frequency Range	50/60Hz				
Power Factor	PF≥0.95				
Protection	Overcurrent / Short circuit / Over temperature				
Dimming Mode	Time control / 0-10V / Opticalcontrol / Microwaves / DALI (Optional)				
Lightning Protection	10KV / 15KV / 20KV (Optional)				
Working Conditions Range	-30 to 45°C, 20% to 90% RH				
Warranty	5/8 years (Optional)				
Protection Level	IP66, GlassIK08/09/10 (Optional), Lamp shell IK09				
Certifications	ENEC; CE; CB; IEC; RoHS; TUV; Lightning protection; LM-79; LM-80; IP66				

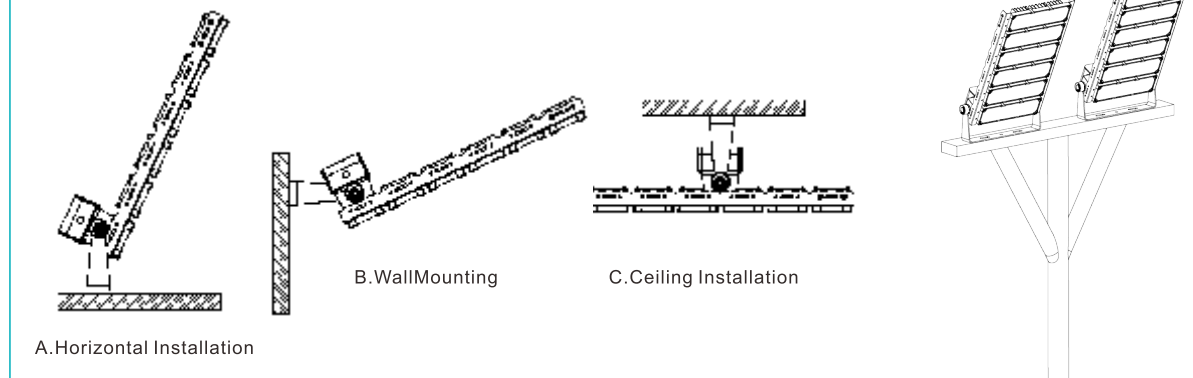
Product Size (mm)



Mounting hole size



Installation



Light Distribution (For details, please refer to the summary table of light distribution curves on page 78,79,80.)

HP-S05C	IES Type Light Distribution Curve				
	30°	60°	90°	120°	TP V
	P50°	TP II-M	TP III-M	TP IV-M	



Die-casting Man



HP-S05BC-1000S



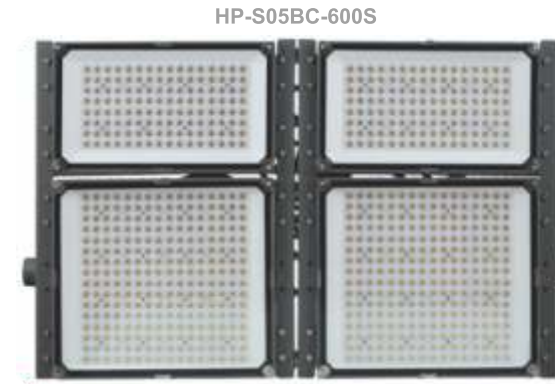
HP-S05BC-500

Product Specification

Product Code	HP-S05BC-300	HP-S05BC-500	HP-S05BC-600S	HP-S05BC-1000S
Input Wattage (W)	300	500	600	1000
Number of Lenses (PCS)	16	40	48	96
LED Quantity 3030/5050	256/96PCS	640/240PCS	768/288PCS	1536/576PCS
Product Size (mm)	447×359×125	687×359×125	447×675×125	687×675×125
Packing Size (mm)	480×380×170	720×380×170	705×480×175	720×705×175
Net Weight (kgs)	10.2	14.3	17.5	24.1
Gross Weight (kgs)	11.1	15.4	18.7	25.5
Quantity of Packing (PCS)	1	1	1	1
Installation Height (m)	10 ~ 20	20 ~ 30	25 ~ 30	30 ~ 40
Materials	Housing:Aluminium, Cover:Toughened Glass, Screws:304 stainless screws			
Spray Colors	Double Grey, Sandy Black, Matt Silver			
Led Brand	LIGHTNING, TongYiFang, XUYU (Optional)			
Optical Effect	130 / 150 lm/w (Optional)			
Color Temperature	2700K, 3000K, 3500K, 4000K, 5000K, 5700K, 6500K (Optional) (Reference: Energy Star)			
Color Rendering Index	Ra≥70, Ra≥80, Ra≥90 (Optional)			
Optics	30°, 60°, 90°, 120°, P50°, TYPE I, TYPE II, TYPE III, TYPE V, TYPE IV (Optional)			
Driver Brand	PHILIPS / OSRAM / TRIDONIC / MEAN WELL / SOSEN / INVENTRONICS			
Input Voltage	AC90 ~ 305V			
Security Level	Class I / ClassII / Class1 / Class2 (Optional)			
Frequency Range	50/60Hz			
Power Factor	PF≥0.95			
Protection	Overcurrent / Short circuit / Over temperature			
Dimming Mode	Time control / 0-10V / Opticalcontrol / Microwaves / DALI (Optional)			
Lightning Protection	10KV / 15KV / 20KV (Optional)			
Working Conditions Range	-30 to 45°C, 20% to 90% RH			
Warranty	5/8 years (Optional)			
Protection Level	IP66, GlassIK08/09/10 (Optional), Lamp shell IK09			
Certifications	ENEC; CE; CB; IEC; RoHs; TUV; Lightning protection; LM-79; LM-80; IP66			



Die-casting Man



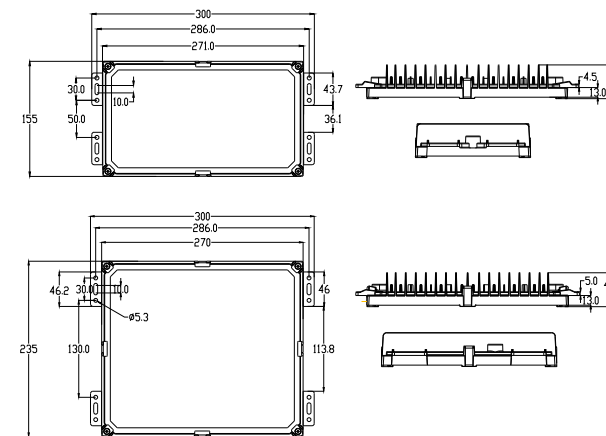
HP-S05BC-600S



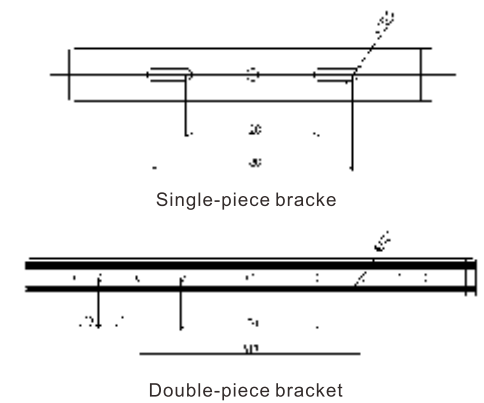
HP-S05BC-300



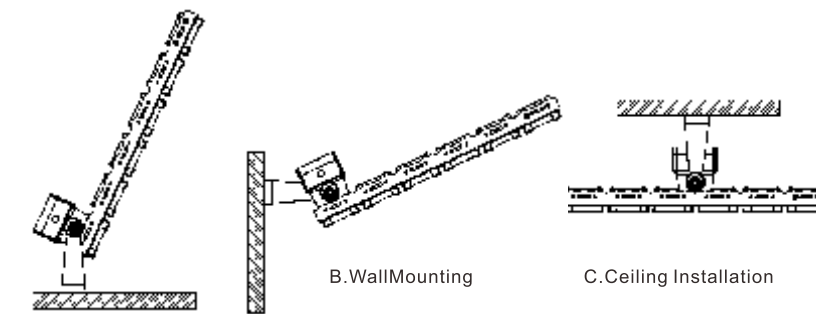
Product Size (mm)



Mounting hole size



Installation

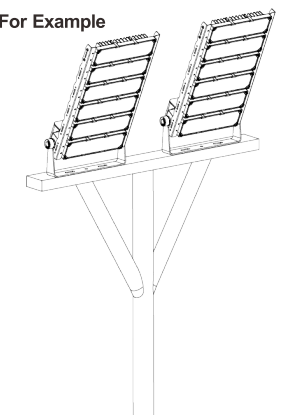


A.Horizontal Installation

B.Wall Mounting

C.Ceiling Installation

For Example

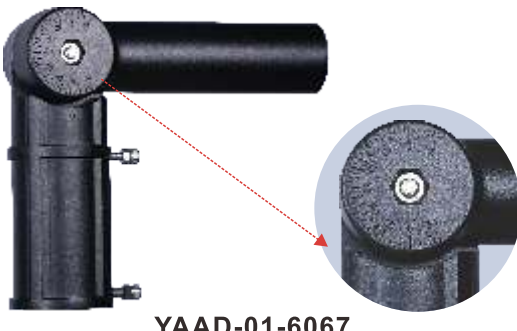
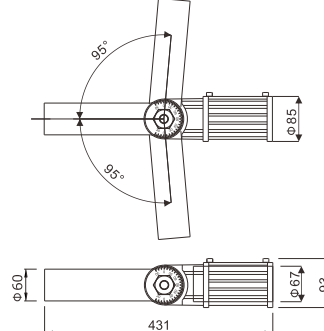

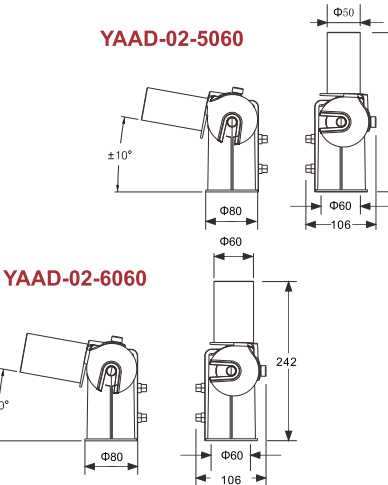

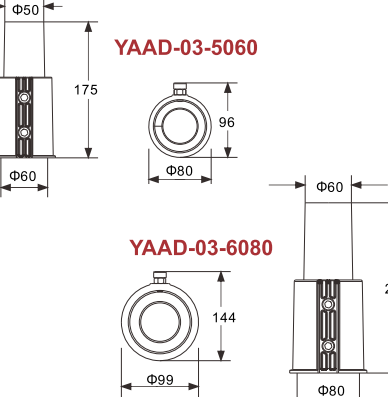
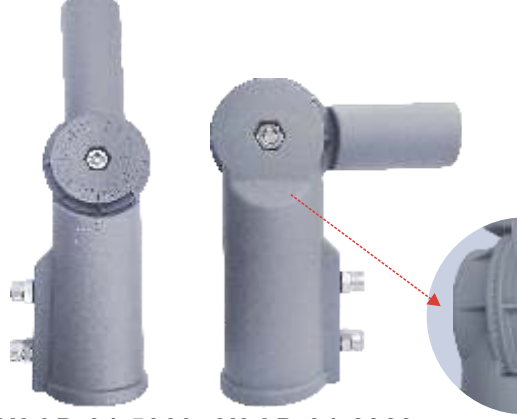
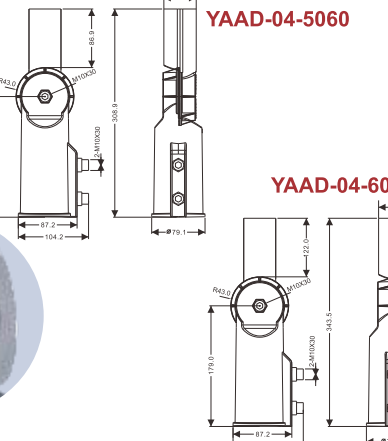


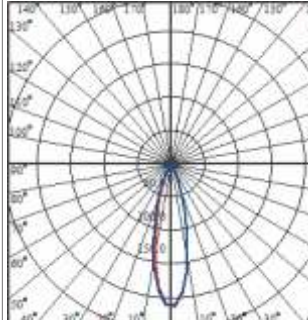
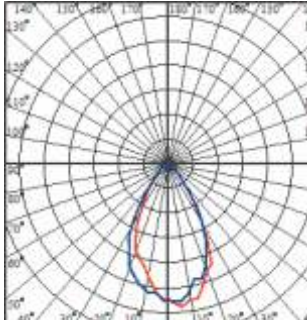
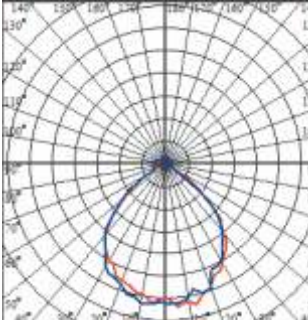
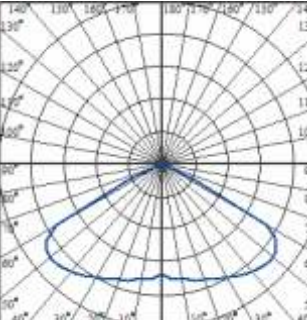
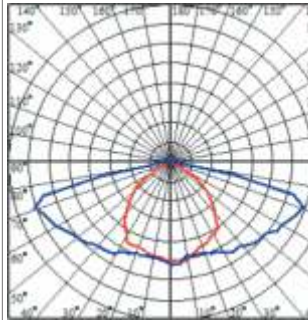
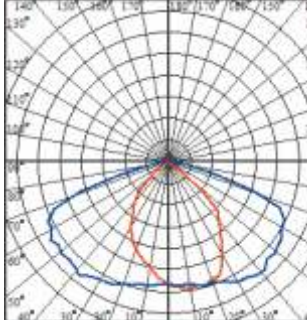
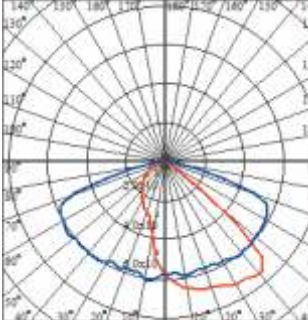
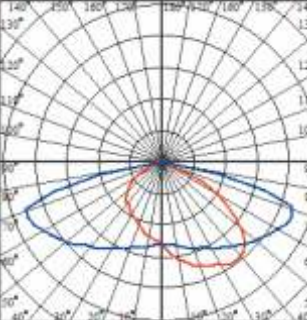
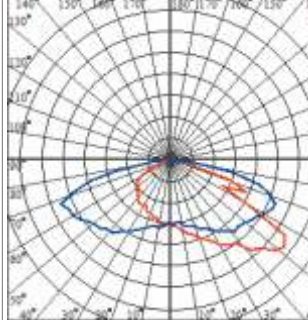
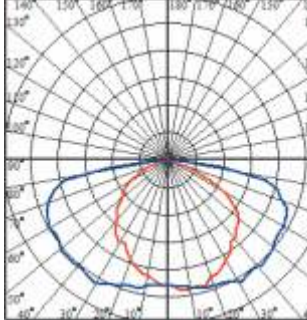
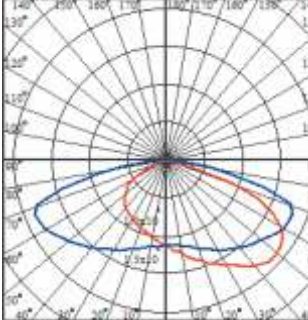
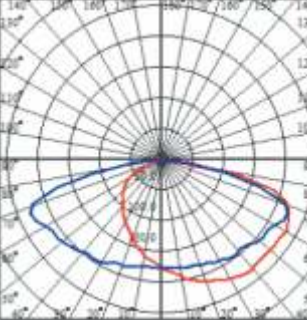
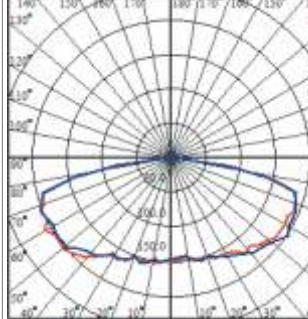
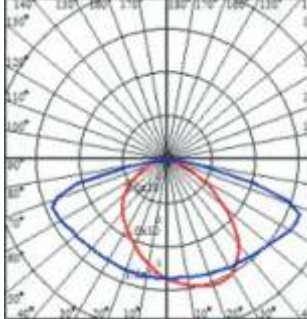
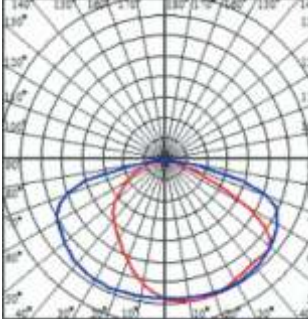
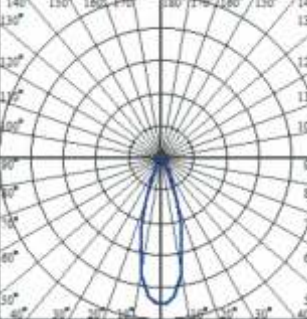
Light Distribution (For details, please refer to the summary table of light distribution curves on page 78,79,80.)

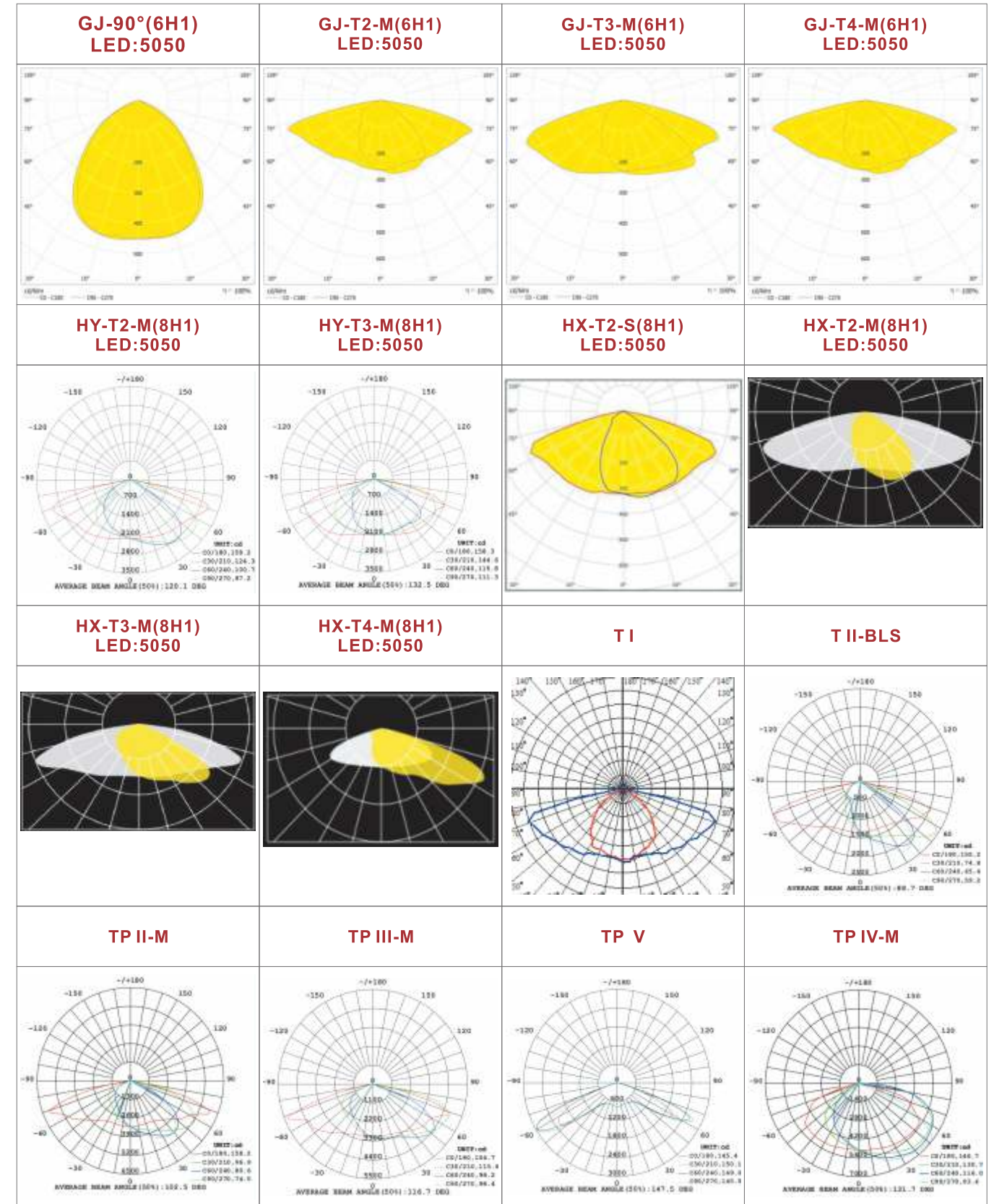
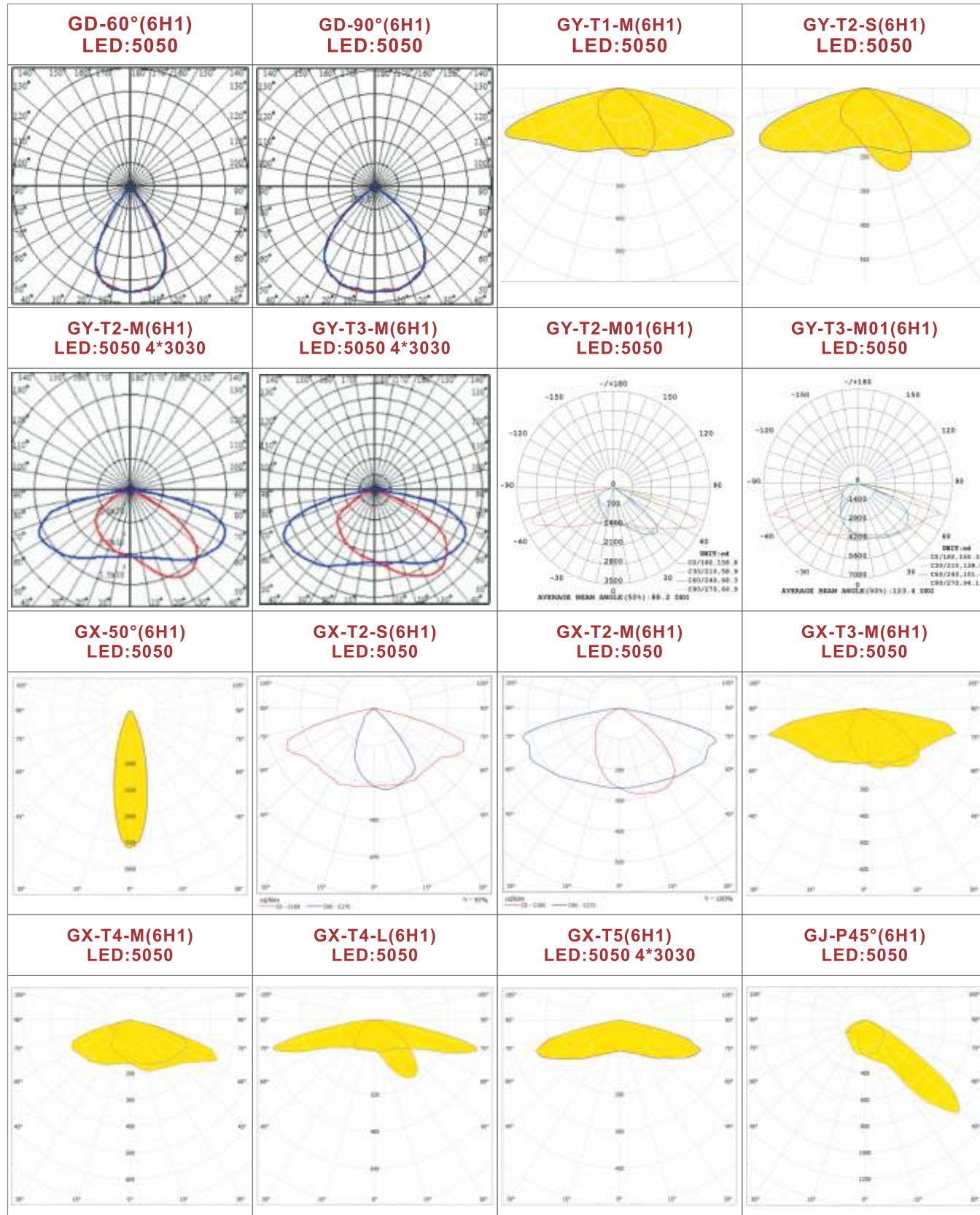
HP-S05BC	IES Type Light Distribution Curve				
	30°	60°	90°	120°	TP V
	P50°	TP II-M	TP III-M	TP IV-M	



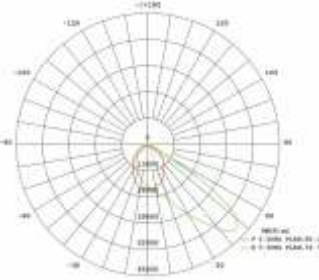
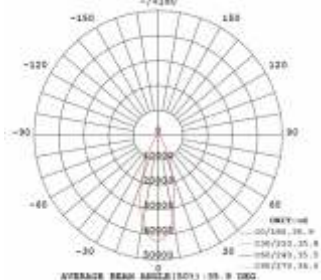
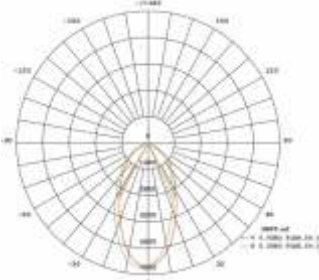
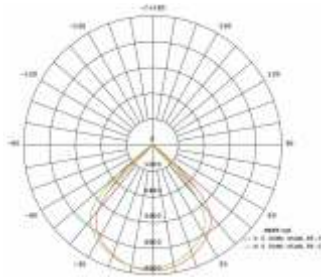
Street Light Adapter

 <p>YAAD-01-6067</p>		<p>Description Housing material: Die Casting Aluminium 60mm(Lamp size)- 67mm(Pole size) Size:431×93×Ø85mm</p>
 <p>YAAD-02-5060 YAAD-02-6060</p>		<p>Description YAAD-02-5060 Housing material: Die Casting Aluminium 50mm(Lamp size)- 60mm(Pole size) Size:242×106×Ø80mm</p> <p>YAAD-02-6060 Housing material: Die Casting Aluminium 60mm(Lamp size)- 60mm(Pole size) Size:242×106×Ø80mm</p>
 <p>YAAD-03-5060 YAAD-03-6080</p>		<p>Description YAAD-03-5060 Housing material: Die Casting Aluminium 50mm(Lamp size)- 60mm(Pole size) Size:175×96×Ø80mm</p> <p>YAAD-03-6080 Housing material: Die Casting Aluminium 60mm(Lamp size)- 80mm(Pole size) Size:219×114×Ø99mm</p>
 <p>YAAD-04-5060 YAAD-04-6060</p>		<p>Description YAAD-04-5060 Housing material: Die Casting Aluminium 50mm(Lamp size)- 60mm(Pole size) Size:309×104×Ø79mm</p> <p>YAAD-04-6060 Housing material: Die Casting Aluminium 60mm(Lamp size)- 60mm(Pole size) Size:344×104×Ø79mm</p>

<p>DH-30°(4H1) LED:5050</p> 	<p>DH-55°(4H1) LED:5050 4*3030</p> 	<p>DH-90°(4H1) LED:5050 4*3030</p> 	<p>DH-120°(4H1) LED:5050 4*3030</p> 
<p>DH-T1(4H1) LED:5050 4*3030</p> 	<p>DH-T2-L(4H1) LED:5050 4*3030</p> 	<p>DH-T2-M(4H1) LED:5050 4*3030</p> 	<p>DH-T2-MB(4H1) LED:5050 4*3030</p> 
<p>DH-T3-M(4H1) LED:5050 4*3030</p> 	<p>DH-T3-MA(4H1) LED:5050 4*3030</p> 	<p>DH-T3-MB(4H1) LED:5050 4*3030</p> 	<p>DH-T4-M(4H1) LED:5050 4*3030</p> 
<p>DH-T5-M(4H1) LED:5050 4*3030</p> 	<p>DY-T2-M(4H1) LED:5050 4*3030</p> 	<p>DY-T3-M(4H1) LED:5050 4*3030</p> 	<p>GD-30°(6H1) LED:5050</p> 





P50°	30°	60°	90°
			
<p>120°</p>			
